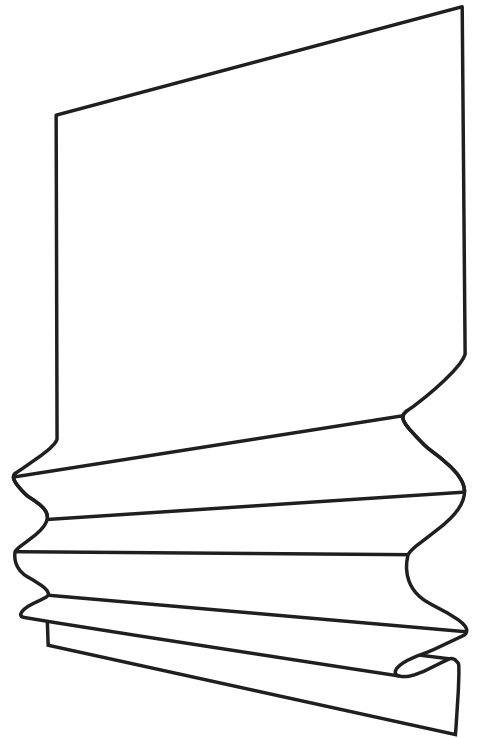


ROMAN BLINDS RAFFTRIC

SYSTEMS | ROMAN BLINDS | RAFFTRIC



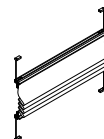
création **baumann**

ROMAN BLIND SYSTEMS

An exceptional range of Roman blinds from Création Baumann, offering many window design possibilities. A choice between different system types for optimum use at the window.

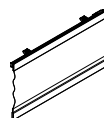
The Création Baumann fabric collection includes a wide range of plain colours and beautifully-designed patterns, incorporating colours, motifs and materials to suit the multi-layered effect of Roman blinds.

RAFFTRIC
MOBILE / MOBILE S
Page 5

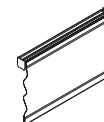


RAFFTRIC
MOBILE
ACCESSORIES
Page 10

RAFFTRIC
PICCOLO
Page 12

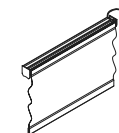


RAFFTRIC
MEZZO
Page 15



RAFFTRIC
MEZZO POWER 24 V
Page 18

somfy.

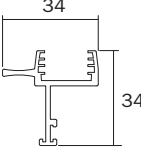
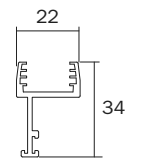
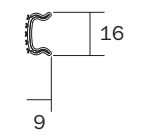
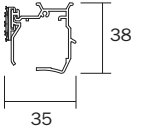
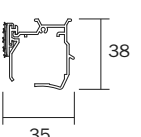


RAFFTRIC
PICCOLO / MEZZO
ACCESSORIES
Page 21

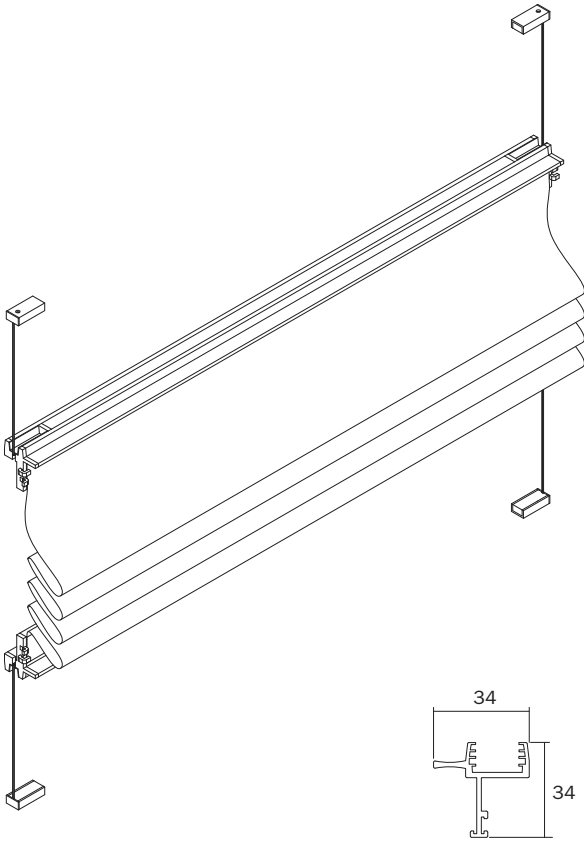
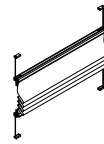
RAFFTRIC
MAKING-UP
Page 23

MEASURING
AND INSTALLATION
Page 24

OVERVIEW ROMAN BLINDS RAFFTRIC

Article	Operation					Application		Profile measures in mm	Options	Installation			Measures of system		
	Hand	Whirling rod	Cord	Chain	Motor	Making up A	Making up B			Velcro	Ceiling	Wall	Window	Max. width cm	Max. height cm
RAFFTRIC MOBILE	■					■	■		■	■	■	■	150 or 120	150 or 220	1.7 kg
RAFFTRIC MOBILE S		■				■	■		■	■	■	■	150 or 120	150 or 220	1.7 kg
RAFFTRIC PICCOLO			■			■			■	■	■	■	150	150	2 kg
RAFFTRIC MEZZO				■		■	■		■	■	■		300	300	1.8 / 5.0 kg
RAFFTRIC MEZZO POWER					■	■	■		■	■	■		300	300	6 kg

RAFFTRIC MOBILE TECHNIQUE



Technique tensed roman blind system, movable individually by hand in any position:

- upper and lower profile can be moved
- profile in aluminium
- fixation at any desired position

Particular suitable for installation in glass recess

Colours Standard white RAL 9016
Standard anodized aluminium

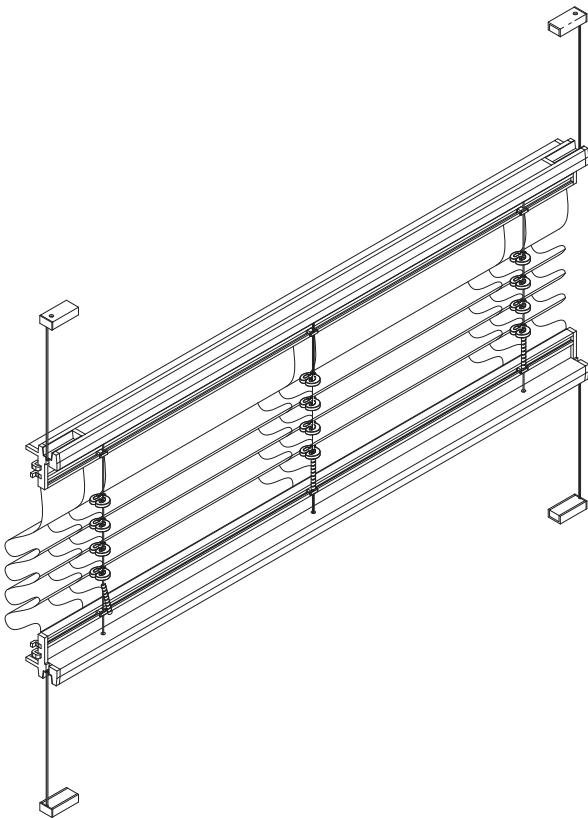
Tension cord in white

Size of system width up to max. 120 cm
height up to max. 220 cm

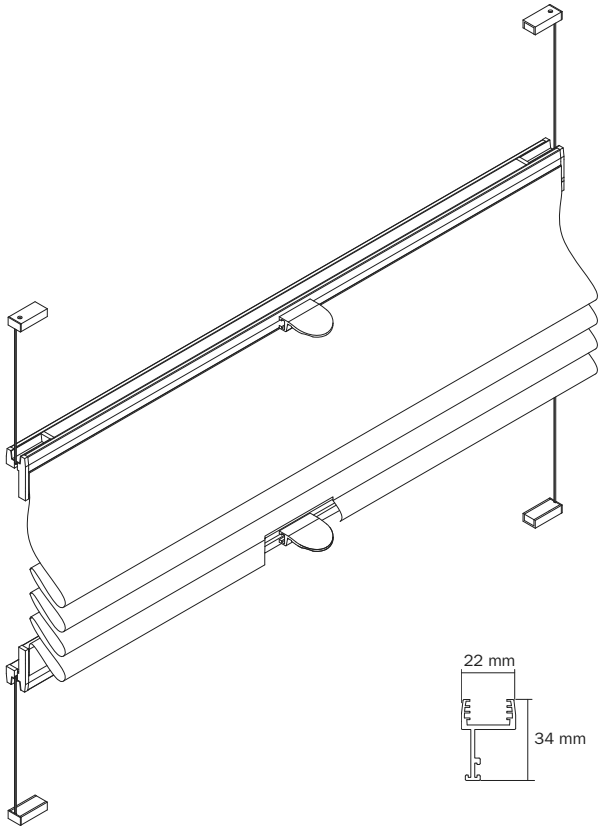
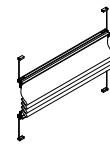
or

width up to max. 150 cm
height up to max. 150 cm

Weight of curtain max 600 g/m²



RAFFTRIC MOBILE S TECHNIQUE



Technique tensed roman blind system, movable individually by hand/rod in any position:

- upper and lower profile can be moved by operating rod
- profile in aluminium
- fixation at any desired position

Particular suitable for installation in glass recess

Colours Standard white RAL 9016
Standard anodized aluminium

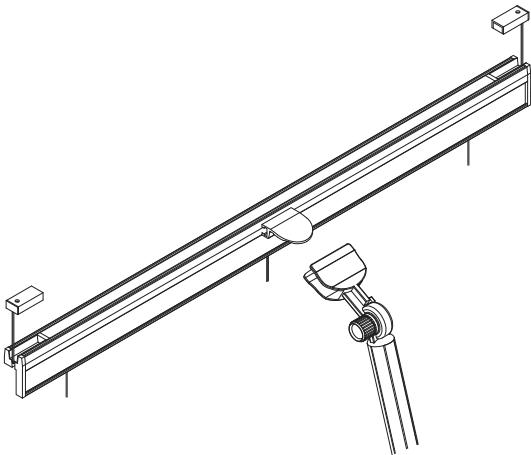
Tension cord in white

Size of system width up to max. 120 cm
height up to max. 220 cm

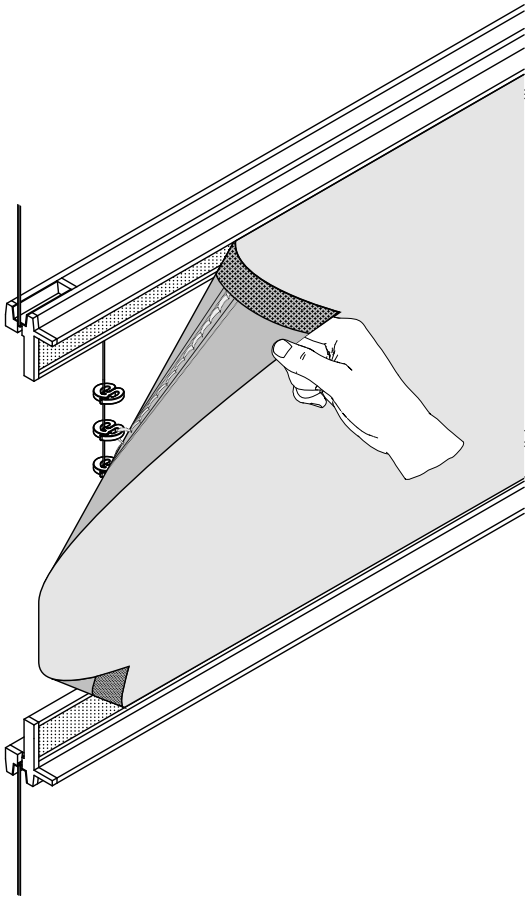
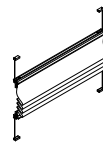
or

width up to max. 150 cm
height up to max. 150 cm

Weight of curtain max 600 g/m²



RAFFTRIC MOBILE TECHNIQUE

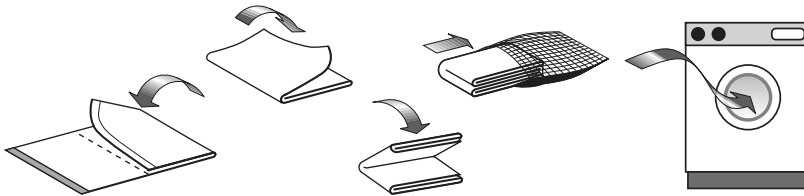


Cleaning the
curtain

Take the fabric off the system:

1. Pull the curtain downwards
2. Take the curtain off the upper profile (top)
3. Release the hooks out of the cords
4. Take the curtain off the lower profile (bottom)

Wash the curtain

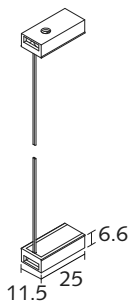
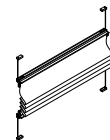


After washing:

1. Fix the curtain onto the lower profile (bottom)
2. Click the hooks from bottom up into the cords
3. Fix the curtain onto the upper profile (top)

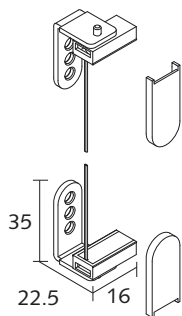
Width up to cm	38	66	94	122	150	Arrangement of tapes/fixations
Number of tapes	2	3	4	5	6	
number of fixations	4	4	4	4	4	

RAFFTRIC MOBILE INSTALLATION



Tightener In plastic
For installation on ceiling and recess of window frames

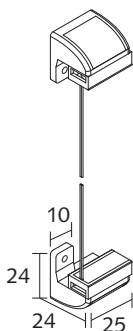
Colours Standard white
Standard grey



Wall support Support in metall/plastic
For installation on window frames or wall

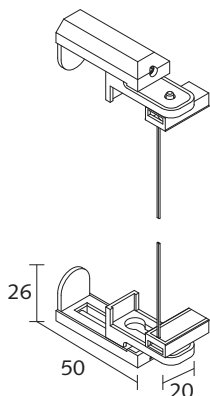
Colours Standard white
Standard galvanized/grey

measure in mm



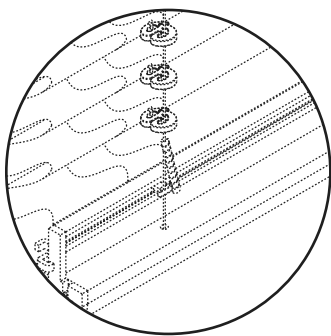
Support window bar In plastic
For installation on front of window frames

Colours Standard white
Standard grey



Clamping carrier Carrier in metall/plastic
For installation on window frames (no drilling)

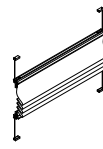
Colours Standard white
Standard grey



Spiral coiled tube Transparent plastic, Ø 6 mm
Distance piece for fixation of length of folds



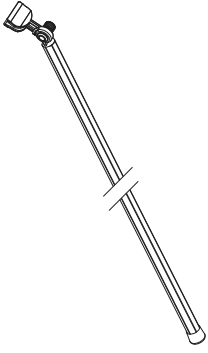
RAFFTRIC MOBILE INSTALLATION



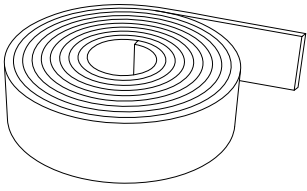
Operating
rod for RAFFTRIC
MOBILE S

with hinge, rod anodized aluminium

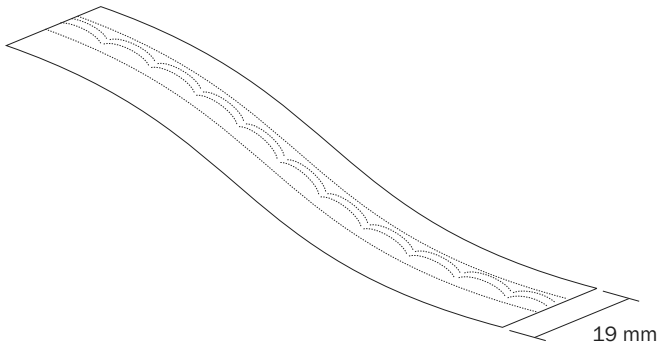
- length 100 cm
- length 150 cm
- length 200 cm
- length 250 cm



RAFFTRIC MOBILE MAKING-UP ACCESSORIES



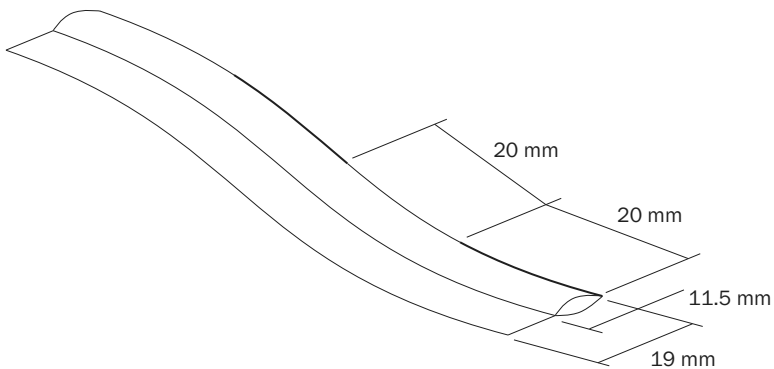
White polyamide hook-and loop tape,
washable, to sew on, width 20 mm



Loop tape, polyester transparent
Width 19 mm (making-up type A)

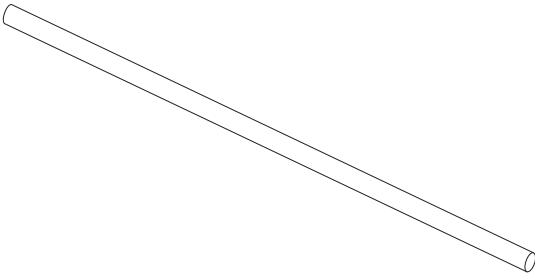


Loop tape hook for fishing-line guide
Polyester transparent
(making-up type A)



Insertion tape transparent for insertion
rod \varnothing 4 mm, width 19 mm
(making-up type B)

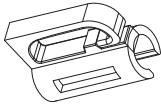
RAFFTRIC MOBILE MAKING-UP ACCESSORIES



Insertion rod white, light and robust,
diameter 4 mm,
(making-up type B)



End cap for insertion rod \varnothing 4 mm
(making-up type B)
Colour white

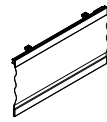


Clip insertion rod \varnothing 4 mm transparent
(making-up type B)



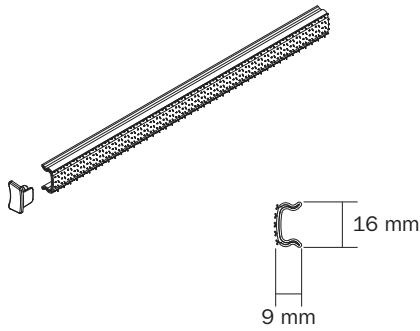
Spiral coiled tube, transparent, \varnothing 6 mm

RAFFTRIC PICCOLO TECHNIQUE



Profile An ultra-flat aluminium profile with hook-and loop tape for small roman blinds, ideally suited for direct attachment to window frames.

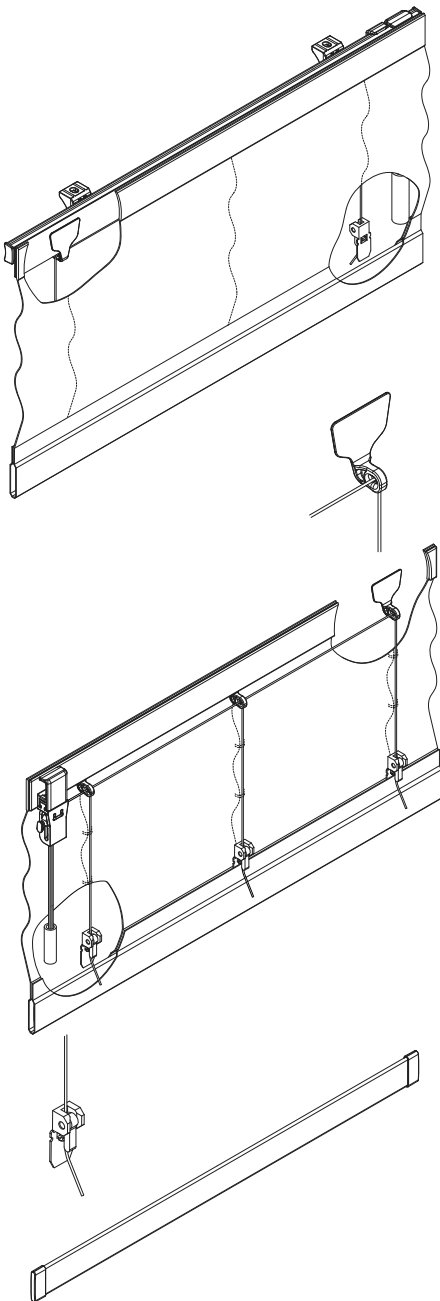
Colours Standard white RAL 9016



Size of system Width up to max. 150 cm
Height up to max. 150 cm

Weight of curtain max. 2 kg

Function Sewn-in eyelets for direct control of the draw cords on the curtain

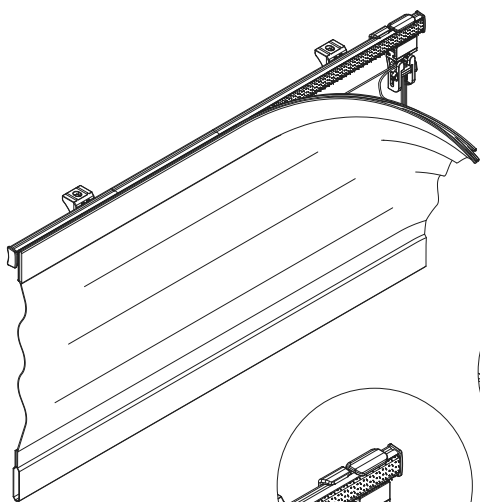
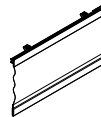


Bottom weight Flat aluminium profile
3 x 25 mm

Operation Draw cord white
Installation either left or right

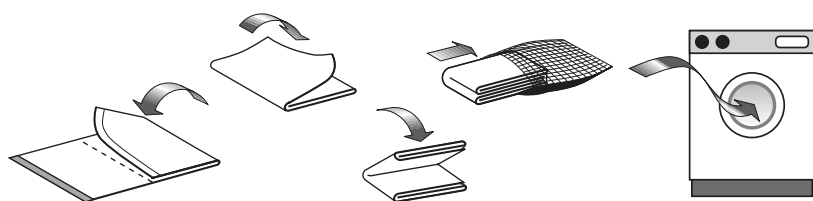
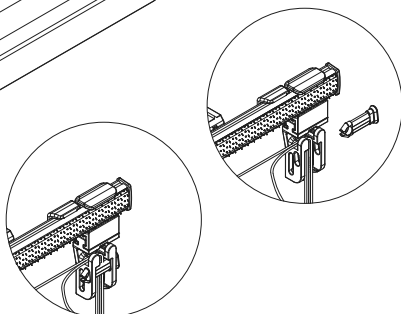


RAFFTRIC PICCOLO TECHNIQUE



Cleaning the
curtain

- Take the curtain off the system:
1. Pull the curtain downwards and out
 2. Take the cord out of the cord closure
 3. Take the blind off the aluminium profile/hook-and-loop tape at the top

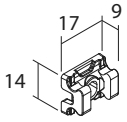
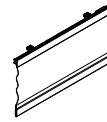


Wash the curtain

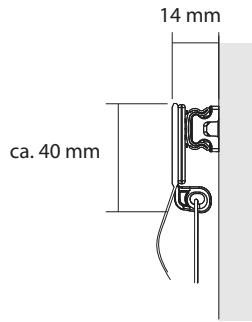
- After washing:
1. Fix the curtain onto the lower profile (bottom)
 2. fit the draw cord into the cord closure
 3. The system is then ready to use

Width up to cm	40	70	100	130	150	Arrangement of tapes/brackets
Number of tapes	2	3	4	5	6	
number of brackets	2	2	3	3	3	

RAFFTRIC PICCOLO INSTALLATION

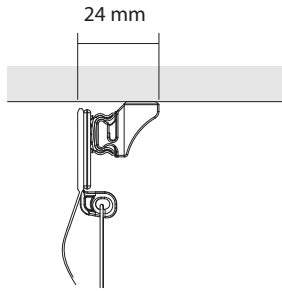
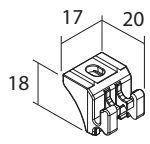


measure in mm



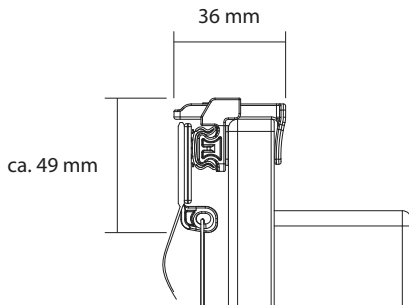
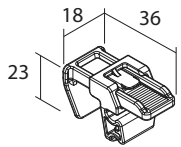
Wall clip Plastic, direct installation on wall/
window frame

Colours white



Ceiling clip Plastic, direct installation on ceiling

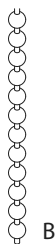
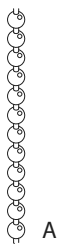
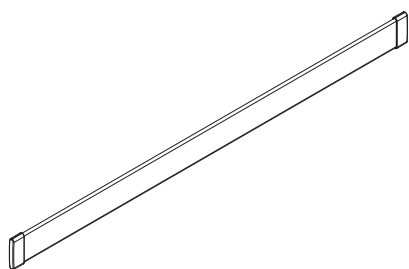
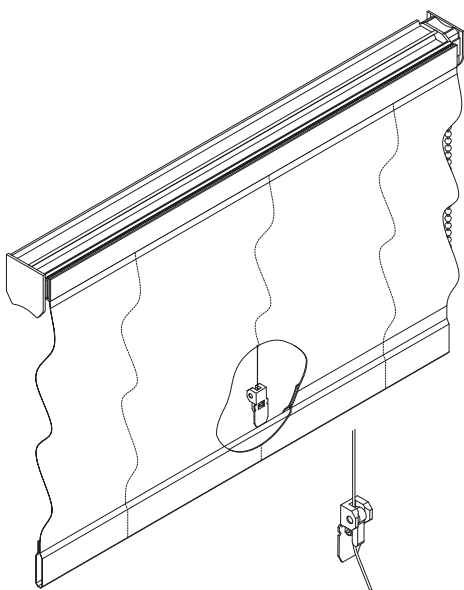
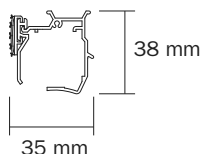
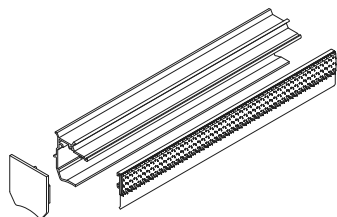
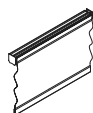
Colours white



Clamping carrier Plastic, direct installation on window
sash, no screws needed

Colours white

RAFFTRIC MEZZO TECHNIQUE



Profile Stable aluminium profile, 2 parts (head, cover hook-and loop-tape) for medium-weight and heavy roman blinds.

Curtains are quick and easy to remove for cleaning, thanks to the user-friendly click mechanism with cord-clip.

Colours Standard white RAL 9016
Standard anodized aluminium/grey

Size of system Width up to max. 300 cm
Height up to max. 300 cm

Weight of curtain Gear drive 1:1 max. 1,8 kg
Gear drive 1:3,5 max. 5,0 kg

Function Cord spool with cord clip for simple insertion and removal of draw cord

Bottom weight Flat aluminium profile 3 x 25 mm

Operation A Nickel-plated metal chain
B Plastic chain

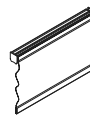
transparent
white
grey

either right or left

weight of chain in stainless steel
INOX 90 weight 90 g
INOX 35 weight 35 g

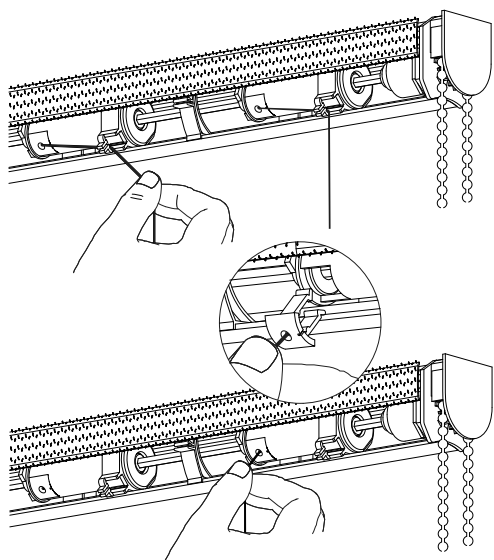
Factory-made installation of endless-chain

RAFFTRIC MEZZO TECHNIQUE

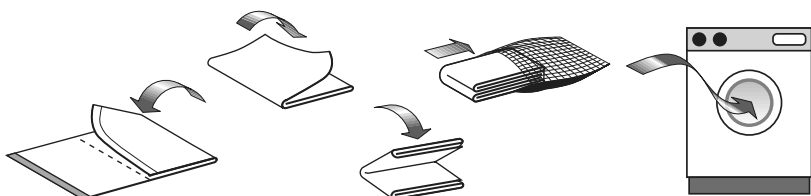


Cleaning the curtain

- Take the curtain off the system
1. Pull the curtain completely downwards and out
 2. Take the blind off the aluminium profile/hook-and loop tape at the top
 3. Take the cord out of the locking mechanism
 4. Pull the cord clip out of the cord spool

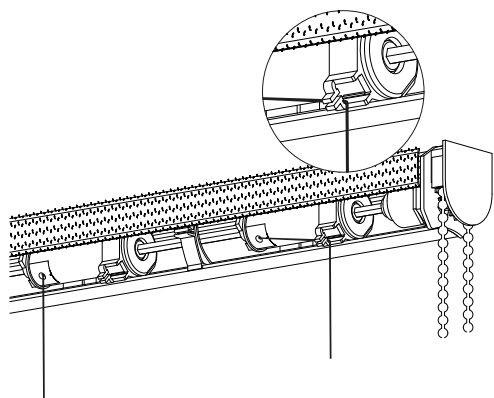
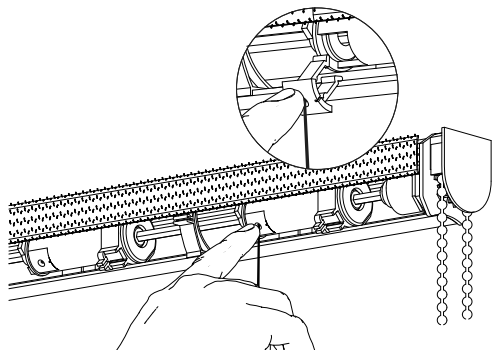


Wash the curtain



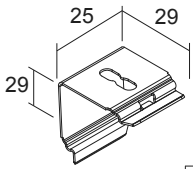
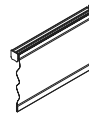
After washing:

1. Press the cord clip into the cord spool
2. Fit the cord into the locking mechanism
3. Fix the curtain onto the hook-and loop tape
4. The system is then ready to use



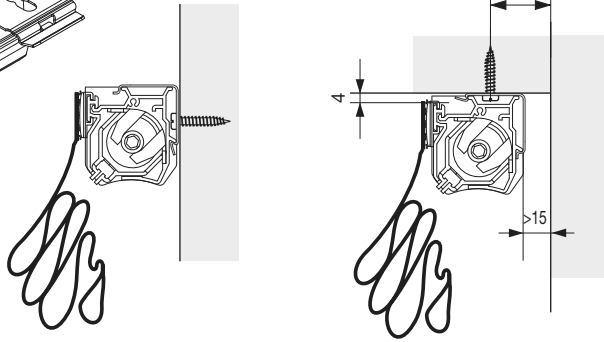
Width up to cm	90	130	170	210	250	300	Arrangement of tapes/brackets
Number of tapes	3	4	5	6	7	8	
number of brackets	2	3	3	3	4	4	

RAFFTRIC MEZZO INSTALLATION

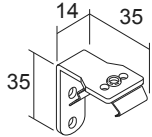


Clip Spring steel, for ceiling and wall installation

Colours Standard stainless steel
Standard white

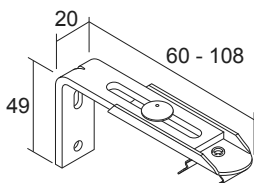
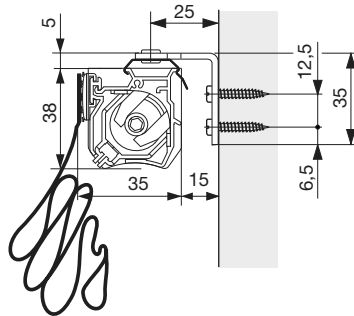


measure in mm



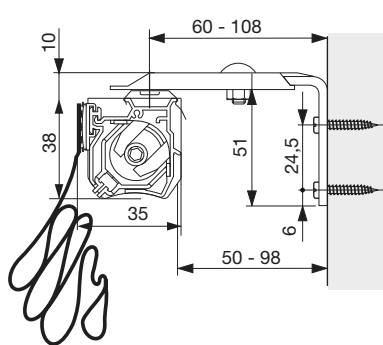
Wall bracket 25 mm Metal, with pre-assembled clip

Colours Standard galvanized
Standard white

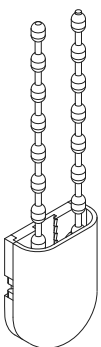


Wall bracket 60-108 mm Metal, with pre-assembled clip

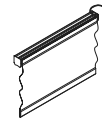
Colours Standard galvanized
Standard white



SAFETY I Chain tensioner for child safety, keep chain out of the reach of children



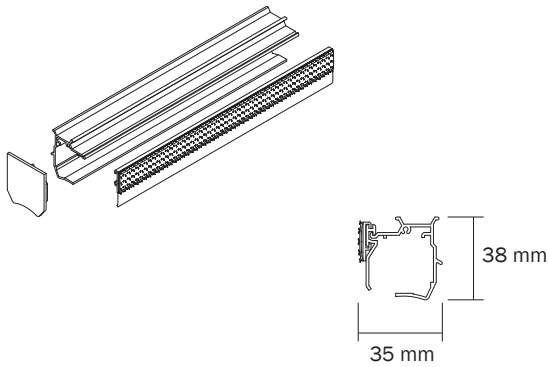
RAFFTRIC MEZZO POWER 24 V TECHNIQUE



Profile Stable aluminium profile, 2 parts (head, cover hook-and loop-tape) for medium-weight and heavy roman blinds.

Curtains are quick and easy to remove for cleaning, thanks to the user-friendly click mechanism with cord-clip.

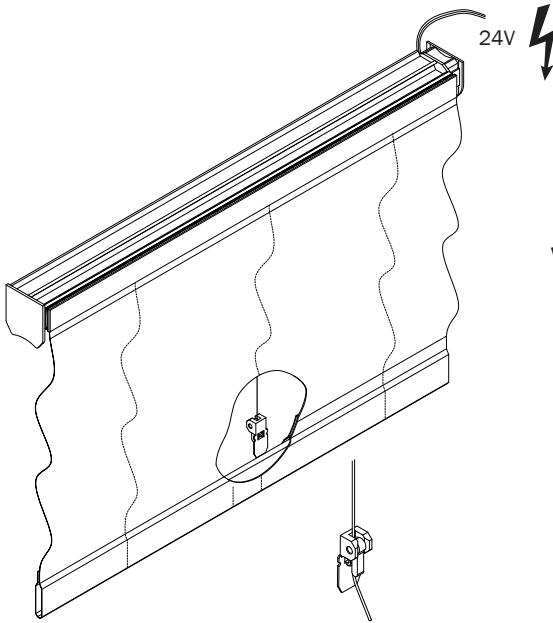
Colours Standard white RAL 9016
Standard anodized aluminium/grey



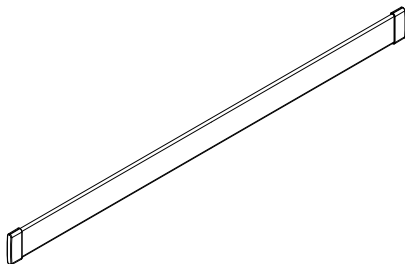
Size of system Width up to max. 300 cm
Height up to max. 300 cm

Weight of curtain max. 6 kg

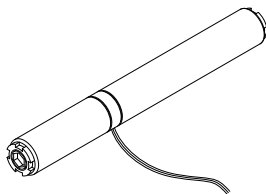
Function Cord spool with cord clip for simple insertion and removal of draw cord



Bottom weight Flat aluminium profile 3 x 25 mm

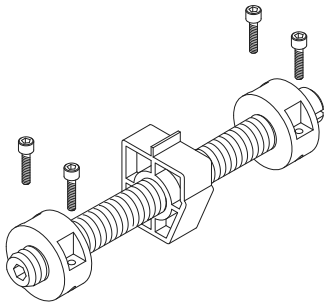
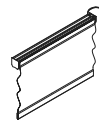


Motor 24-Volt DC motor
Minimum electric tension 20 V
Nominal current 0.50 Amp.
Rotations/minute 30
Length of electric cable 250 cm
With overload protection



Pay attention to the wire cross section!

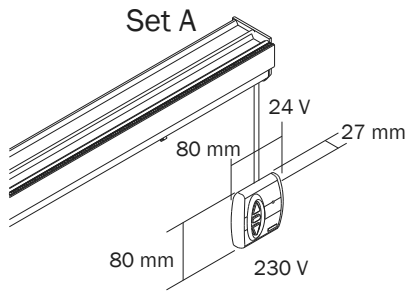
RAFFTRIC MEZZO POWER 24 V TECHNIQUE



Stopper top/
bottom

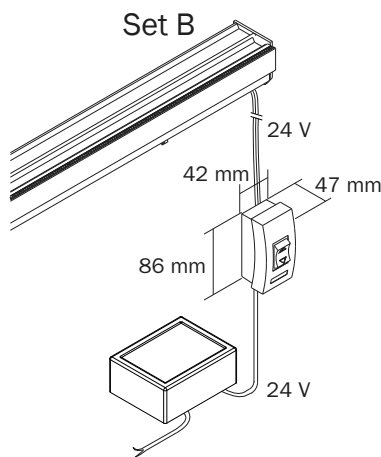
Setting up of upper and lower limit stop at the factory, fine adjustment on-site possible

Remove curtain from system, washing instruction see Rafftric Mezzo

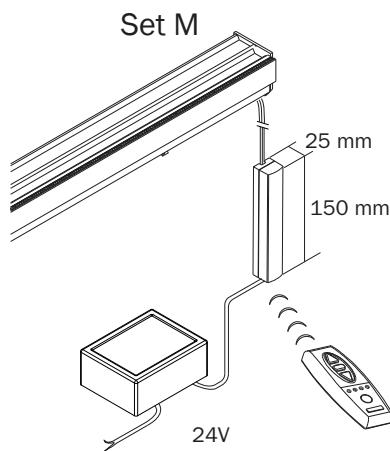


Operation/
controller

Set A:
Switch with integrated transformer (INIS DC) 230/24 volt, colour white



Set B:
White pole reverser switch 230/24 volt transformer with 230 volt cable/connector as well as 24 volt cable



Set M:
Radio receiver set (DC-RTS) 24 volt white version with 1-channel white radio hand-held transmitter (Telis 1 RTS) and 230/24 volt transformer with 230 volt cable/connector as well as 24 volt cable

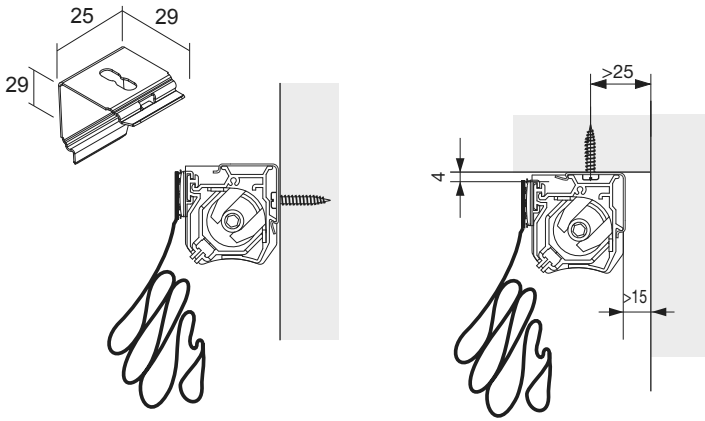
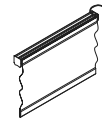
Group control

Group control as of two installations upon inquiry

Width up to cm	90	130	170	210	250	300
Number of tapes	3	4	5	6	7	8
number of brackets	2	3	3	3	4	4

Arrangement of tapes/brackets

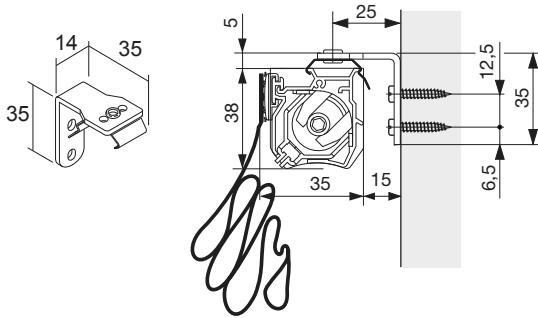
RAFFTRIC MEZZO POWER 24 V INSTALLATION



Clip Spring steel, for ceiling and wall installation

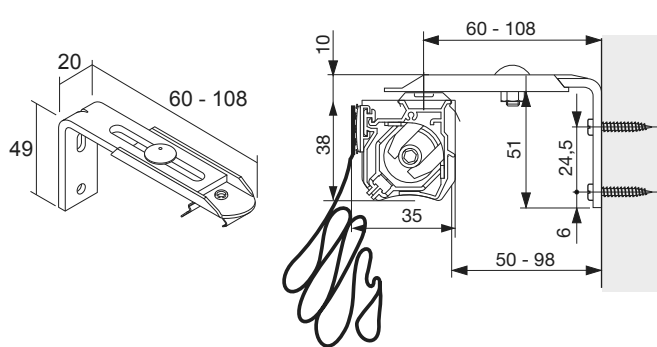
Colours Standard stainless steel
Standard white

measure in mm



Wall bracket 25 mm Metal, with pre-assembled clip

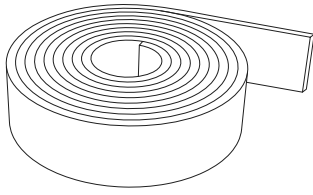
Colours Standard galvanized
Standard white



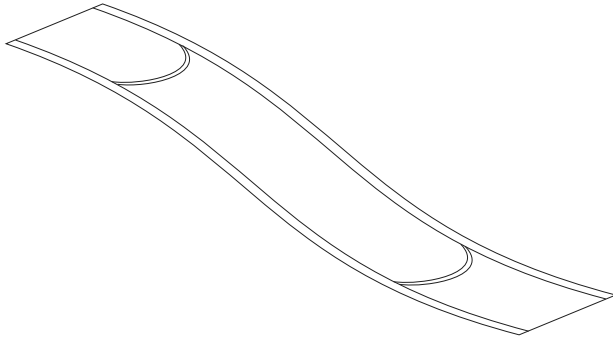
Wall bracket 60-108 mm Metal, with pre-assembled clip

Colours Standard galvanized
Standard white

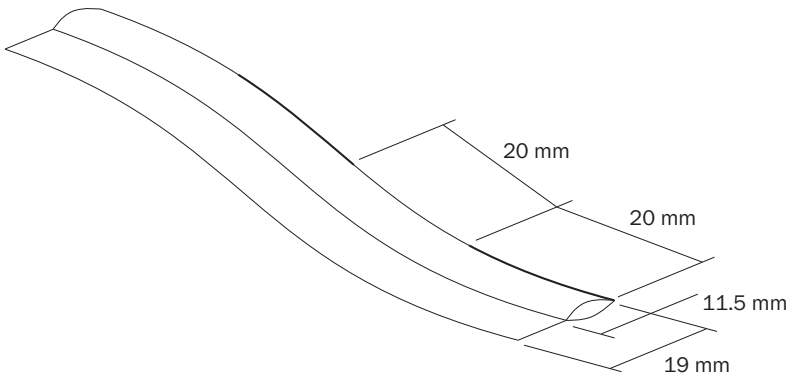
RAFFTRIC PICCOLO / MEZZO MAKING-UP ACCESSORIES



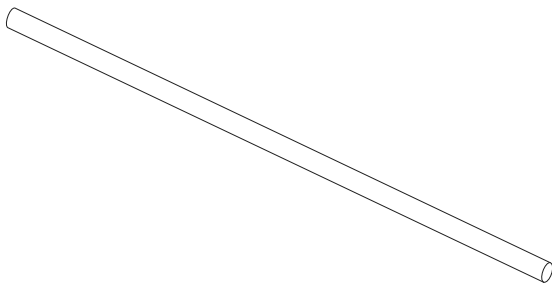
White polyamide hook-and loop tape, washable, to sew on, width 20 mm



Loop tape, polyester transparent with cross loops, 7.5 cm division, to sew on, width 20 mm (making-up type A)



Insertion tape transparent for insertion rod \varnothing 4 mm, width 19 mm (making-up type B)

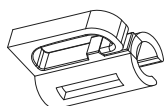


Insertion rod white, light and robust, diameter 4 mm, (making-up type B)

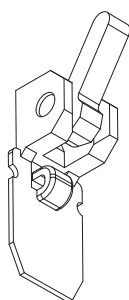
RAFFTRIC PICCOLO / MEZZO MAKING-UP ACCESSORIES



End cap for insertion rod Ø 4 mm
(making-up type B)
Colour white

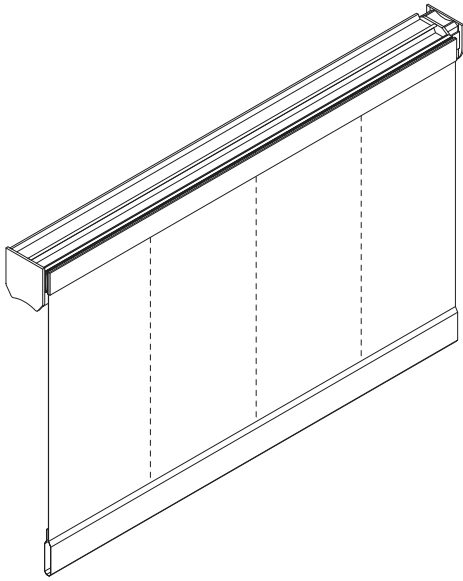


Clip insertion rod Ø 4 mm transparent
(making-up type B)



Transparent cord lock, to sew on

RAFFTRIC MAKING-UP



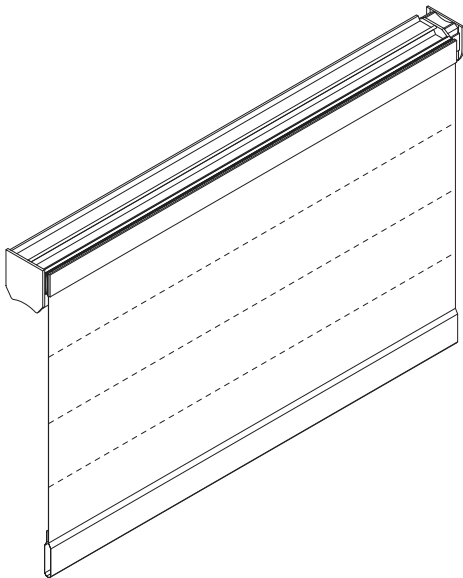
Making-up type A

RAFFTRIC
PICCOLO /
MEZZO

Reverse surface vertical sewn-on,
transparent loop tape
Distance segments
approx. 15 cm
Depth of fold approx. 7,5cm
Side seams approx. 6 cm, lower border
approx. 4 cm height
Weighting-flat aluminium profile,
3 x 25 mm

RAFFTRIC
MOBILE /
MOBILE S

Reverse surface vertical sewn-on trans-
parent loop tape
Distance segments approx. ca. 12 cm
Depth of fold approx. 6 cm
Side seams approx. 6 cm
Lower and upper border with loop tape



Making-up type B

RAFFTRIC
MEZZO

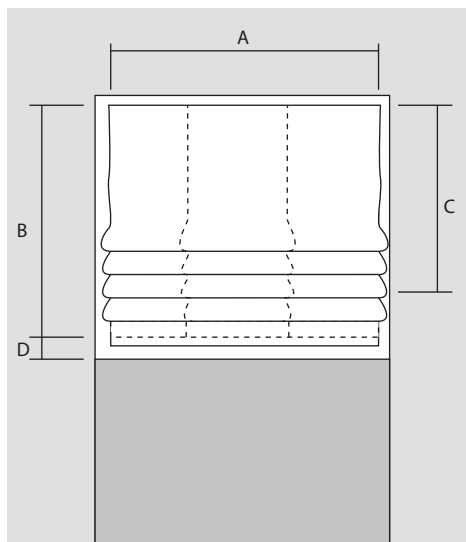
Reverse surface horizontal sewn-on,
transparent insertion tape
Robust circular insertion rod \varnothing 4 mm
Distance between segments
approx. 20 cm
Depth of fold approx. 10 cm
Side seams approx. 1.5 cm, lower bor-
der approx. 4 cm height
Weighting-flat aluminium profile
3 x 25 mm

RAFFTRIC
MOBILE /
MOBILE S

Reverse surface vertical sewn-on trans-
parent insertion tape
Robust circular insertion rod \varnothing 4 mm
Distance segments approx. ca. 15 cm
Depth of fold approx. ca. 7.5 cm
Side seams approx. 1.5 cm
Lower and upper border with loop tape

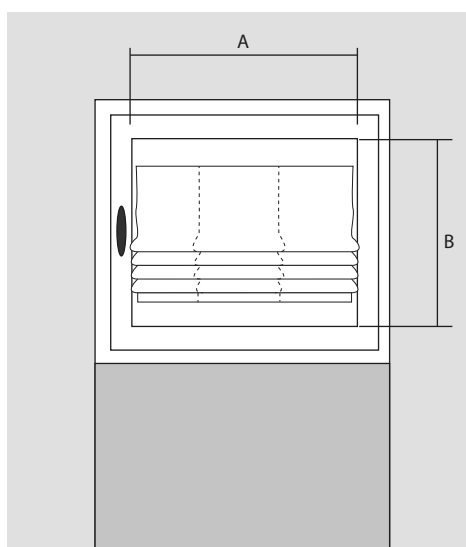
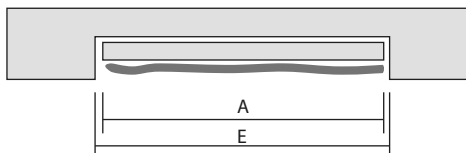
Curtain stack on top:
Abt. 15–20% of the height of curtain
(depending on the kind of fabric and
type of making up)

MEASURING AND INSTALLATION



Installation in the niche
RAFFTRIC
PICCOLO/
MEZZO

A – width of system = width of niche – 10 mm
B – height of system = height of the niche
C – length of draw
D – clearance

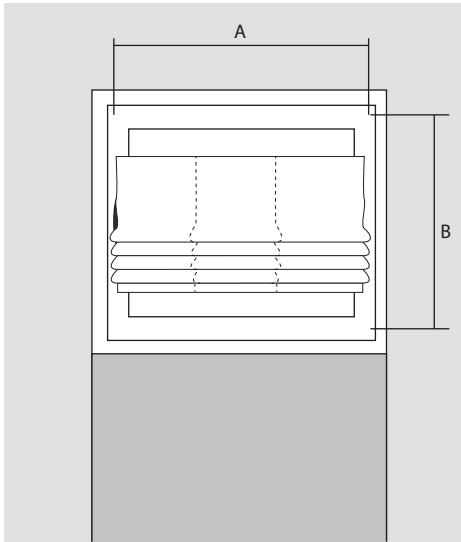


Installation in support window bar
RAFFTRIC
MOBILE/
MOBILE S

Please take notice of the system depth of 22 mm by installation in the recess of the support window bar

A – width of system = width of glass – 5 mm
B – height of system = height of glass – 5 mm

MEASURING AND INSTALLATION



Frontal installation on window frames

RAFFTRIC
MOBILE/
MOBILE S

Wall support:

- A – Width of system = width of glass + desired overlap
- B – Height of system = height of glass + desired overlap

Clamping carrier:

- A – Width of system = width of glass + desired overlap
- B – Height of system = height of window frame

Support window bar:

- A – Width of system = measure of the leading edge + desired overlap (2x width of support window bar)
- B – Height of system = measure of the leading edge + desired overlap (2x width of support window bar)

Our comprehensive range and a complete list of our global sales outlets can be found at www.creationbaumann.com.

05/2014

Création Baumann AG
Bern-Zürich-Strasse 23 | CH-4901 Langenthal
Telephone +41 (0)62 919 62 62 | Fax +41 (0)62 922 45 47
mail@creationbaumann.com | www.creationbaumann.com

Création **baumann**