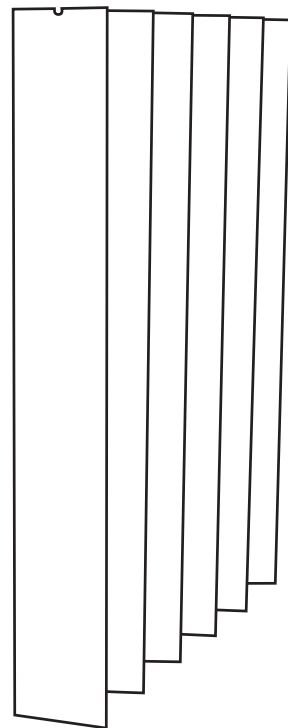


# VERTICAL BLINDS METRIC III

SYSTEMS | VERTICAL BLINDS | METRIC III



*création* **baumann**

# VERTICAL BLINDS METRIC III

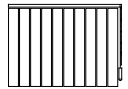
Création Baumann's vertical blinds system with its tried and tested carriage, integrated safety clutch and stainless steel spacers offers numerous different possibilities of use.

The modular technique allows for perfect fitting to standard rooms as well as for the designing and furnishing of exclusive living spaces.

In combination with the typical Création Baumann fabric blinds, this vertical blinds system forms a harmonious and uniform look. The individual textile blinds are produced in widths ranging in approx. 89 mm or approx. 127 mm and are treated to ensure form stability thanks to a special fabrication process (no plastic coating) that also guarantees a soft feel and a typical textile character.

---

**METRIC III**  
**CORD/CHAIN**  
Page 5



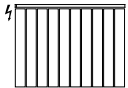
---

**METRIC III**  
**MONO**  
Page 7



---

**METRIC III**  
**POWER**  
Page 9



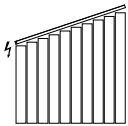
---

**METRIC III**  
**SLOPE**  
Page 11



---

**METRIC III**  
**POWER SLOPE**  
Page 13



---

**METRIC III**  
**HORIZONTALLY**  
**CURVED**  
Page 15



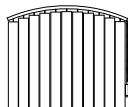
---

**METRIC III**  
**POWER HORIZON-**  
**TALLY CURVED**  
Page 17



---

**METRIC III**  
**VERTICALLY CURVED**  
Page 19



---


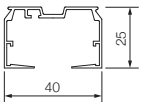

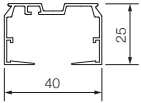

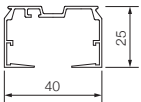
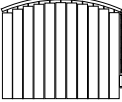
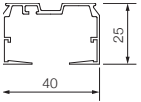
**METRIC III**  
**POWER VERSIONS**  
Page 21

---

**MEASURING**  
**AND INSTALLATION**  
Page 25

---

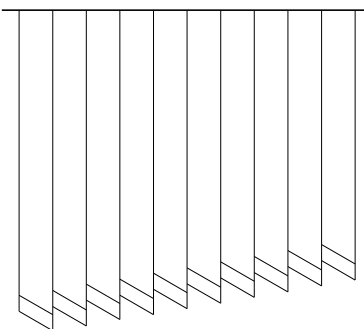
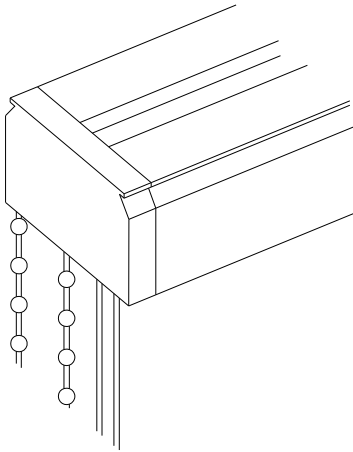
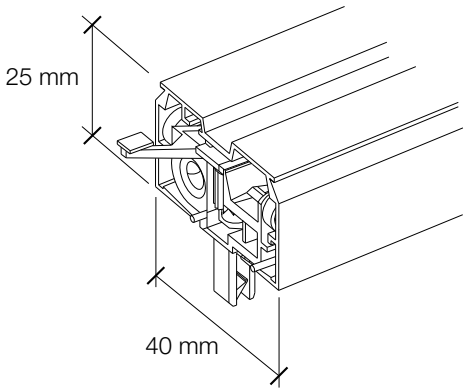
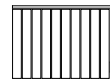
# OVERVIEW VERTICAL BLINDS METRIC III

Article	Operation					Application			Profile measures in mm	Options					Installations			Measures of system		
	Chain / Cord	Chain Mono	Chain / Cord Cordstop	Motor behind	Motor above	Lateral opening	Central opening	Middle opening		Blinds 127 mm	Blinds 89 mm	Recess profile	Hook change	Package movement	Ceiling	Wall	Suspended ceiling	Max. width cm	Max. height cm	Min. radius cm
METRIC III Horizontal 	■	■		■	■	■	■	■		■	■	■	■	■	■	■	700	400		
																	Mono 450	400		
METRIC III Slope 			■	■	■	■				■	■	■	■	■	■	■	700	400		
METRIC III Curved horizontally 	■			■*		■	■	■		■	■		■	■	■	■	560	400	90	
METRIC III Curved vertically 			■	■*		■		■		■	■		■	■	■	■	560	400	50	

\* The track needs to be equal to a straight line that is at least 400 mm long.



# METRIC III CORD/CHAIN TECHNIQUE



**Track** Track in extruded aluminium. The safety clutch prevents any over-speeding of the gears and thus ensures an even turning of the blinds

**Colours** Standard anodized aluminium  
Standard white RAL 9016  
Other RAL-colours upon inquiry

**Operation** Opening and closing of the blinds by means of the draw cord mechanism. Turning of the blinds by 180° with chain

**Cord** grey or white

**Chain** bead chain in grey or white

**Blind widths** approx. 89 mm  
approx. 127 mm

**Size of system** Maximum width 700 cm  
Maximum height 400 cm  
Maximum surface 28 m<sup>2</sup>

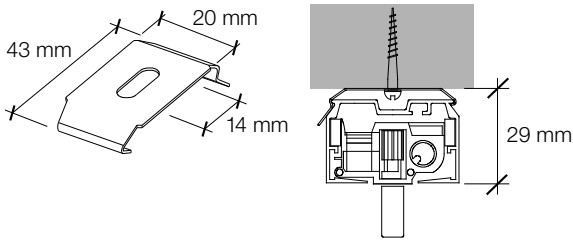
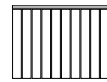
**Package arrangement** Blinds package/operation left, right or on other side

Blinds package split (even number of blinds)

Blinds package in the middle (even number of blinds)

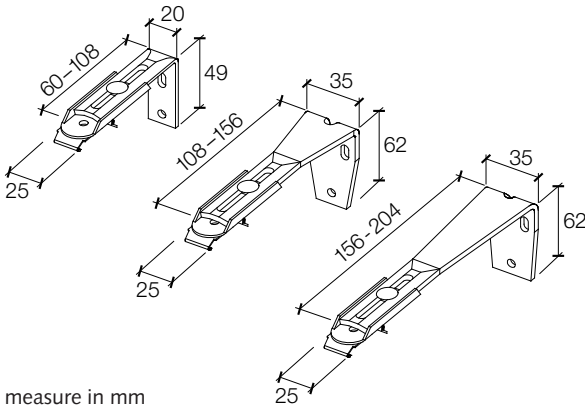
**Blind versions** Standard welded weighting plates, connecting chain upon inquiry

# METRIC III CORD/CHAIN INSTALLATION



Ceiling Fixing to ceiling only by means of the clips

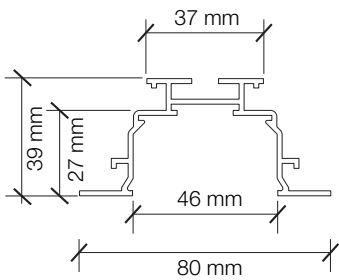
Colours: stainless steel or white



Wall Fixing to wall by means of the supporting bracket/extractable preassembled clips

60 – 108 mm  
108 – 156 mm  
156 – 204 mm

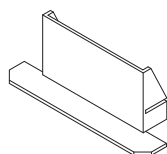
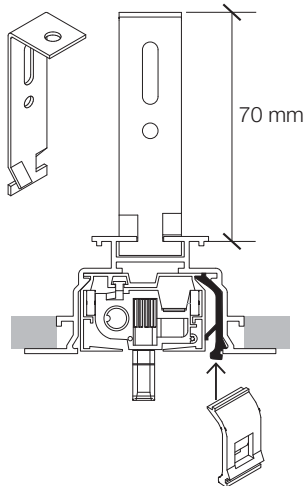
Colours: galvanized steel or white



Suspended from the ceiling

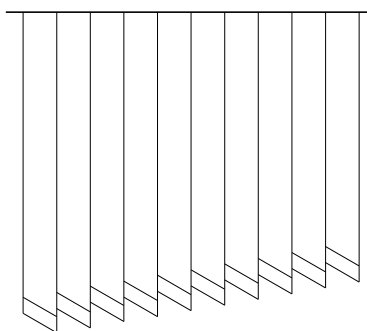
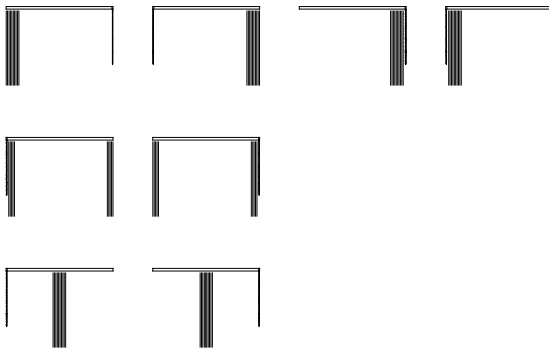
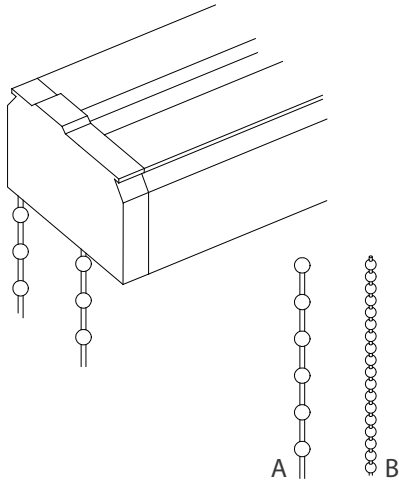
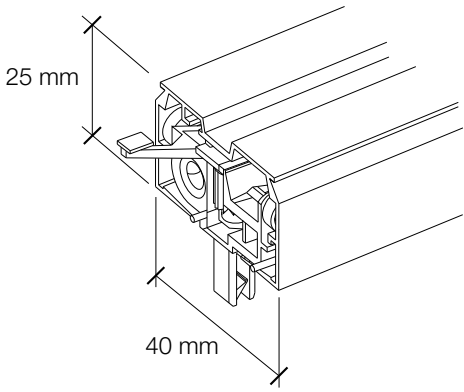
Recess profile: aluminium for straight installations, original length: 6 m, Mounting of recess profile by means of suspension brackets, fixing of track with mounting clips

Colours: anodized aluminium or white



End cap for the recess profile, grey or white versions available

# METRIC III MONO TECHNIQUE



**Track** Track in extruded aluminium. The safety clutch prevents any over-speeding of the gears and thus ensures an even turning of the blinds

**Colours** Standard anodized aluminium  
Standard white RAL 9016  
Other RAL-colours upon inquiry

**Operation** Opening and closing of the blinds by means of the draw cord mechanism. Turning of the blinds by 180° with chain

**Chain** A Bead chain in plastic, grey or white  
B Nickel plated metal chain

**Blind widths** approx. 89 mm  
approx. 127 mm

**Size of system** Maximum width 450 cm  
Maximum height 400 cm  
Maximum surface 18 m<sup>2</sup>

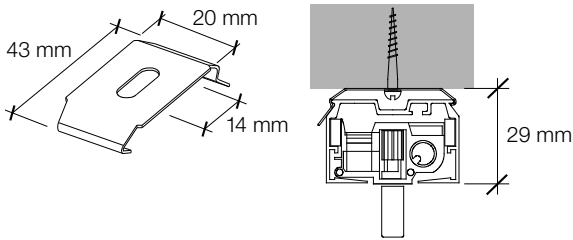
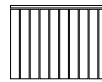
**Package arrangement** Blinds package/operation left, right or on other side

Blinds package split (even number of blinds)

Blinds package in the middle (even number of blinds)

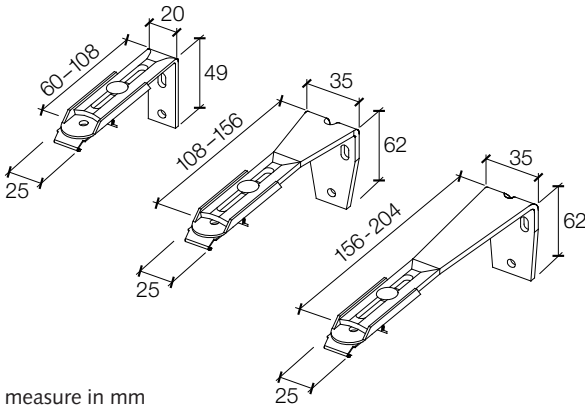
**Blind versions** Standard welded weighting plates, connecting chain upon inquiry

# METRIC III MONO INSTALLATION



Ceiling Fixing to ceiling only by means of the clips

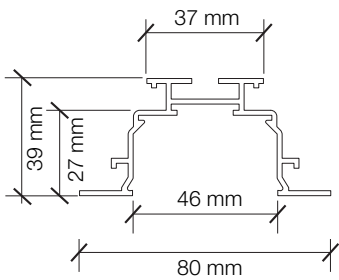
Colours: stainless steel or white



Wall Fixing to wall by means of the supporting bracket/extractable preassembled clips

60 – 108 mm  
108 – 156 mm  
156 – 204 mm

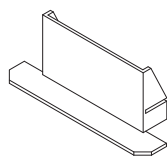
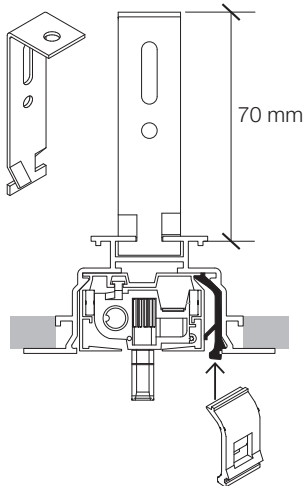
Colours: galvanized steel or white



Suspended from the ceiling

Recess profile: aluminium for straight installations, original length: 6 m, Mounting of recess profile by means of suspension brackets, fixing of track with mounting clips

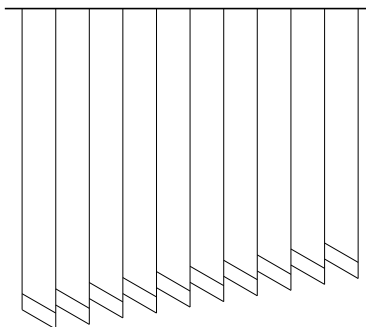
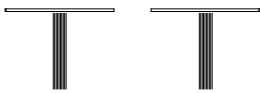
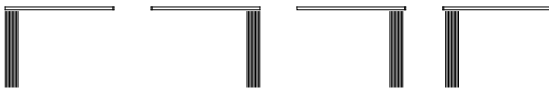
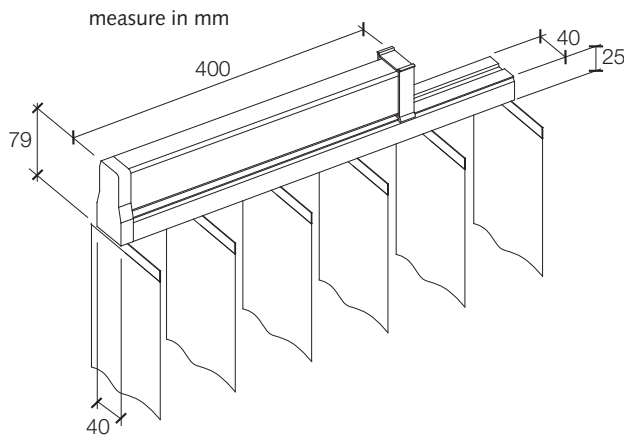
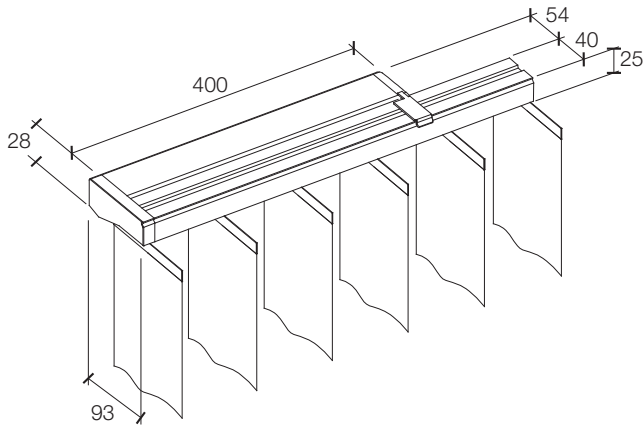
Colours: anodized aluminium or white



End cap for the recess profile, grey or white versions available



# METRIC III POWER TECHNIQUE



**Track** Track in extruded aluminium. The safety clutch prevents any over-speeding of the gears and thus ensures an even turning of the blinds

**Colours** Standard anodized aluminium  
Standard white RAL 9016  
Other RAL-colours upon inquiry

**Motor** Opening and closing as well as turning of the blinds by 180° with the electric motor, right or left (behind the track). Motor located in upper right or left area of the track – for suspension from ceilings, upon inquiry

**Colours** Standard anodized aluminium  
Standard white RAL 9016

**Operation** re. electric versions

**Blind widths** approx. 89 mm  
approx. 127 mm

**Size of system** Maximum width 700 cm  
Maximum height 400 cm  
Maximum surface 28 m<sup>2</sup>

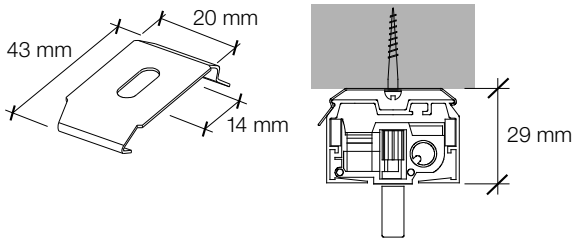
**Package arrangement** Blinds package/operation left, right or on other side

Blinds package split (even number of blinds)

Blinds package in the middle (even number of blinds)

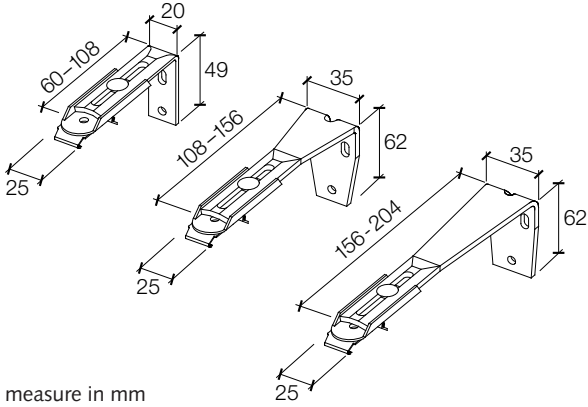
**Blind versions** Standard welded weighting plates, connecting chain upon inquiry

# METRIC III POWER INSTALLATION



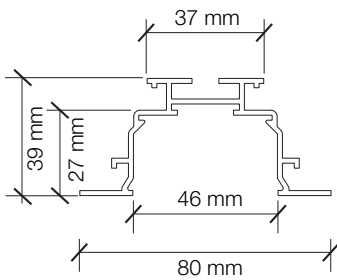
Ceiling Fixing to ceiling only by means of the clips

Colours: stainless steel or white



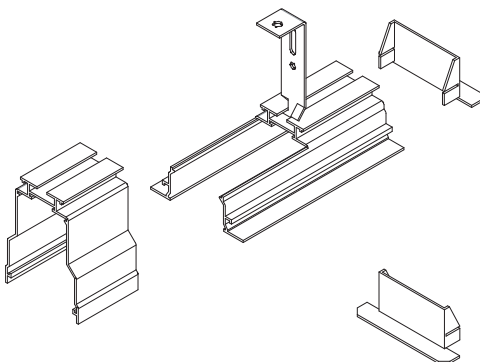
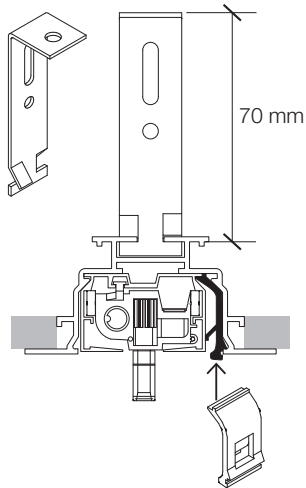
Wall Fixing to wall by means of the supporting bracket/extractable preassembled clips  
60 – 108 mm  
108 – 156 mm  
156 – 204 mm

Colours: galvanized steel or white



Suspended from the ceiling Recess profile: aluminium for straight installations, original length: 6 m, Mounting of recess profile by means of suspension brackets, fixing of track with mounting clips

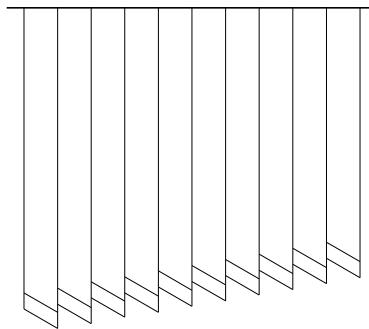
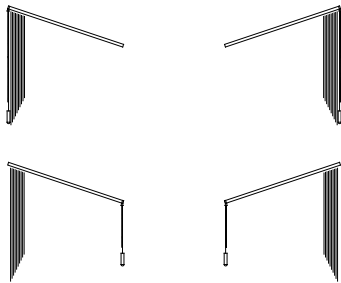
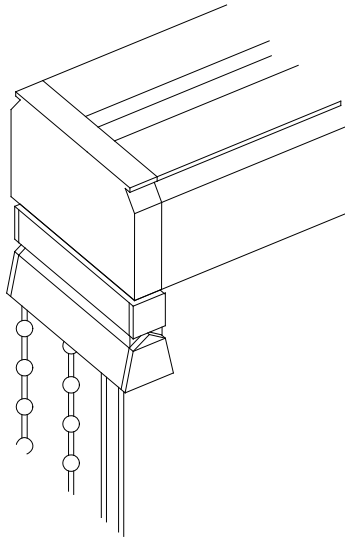
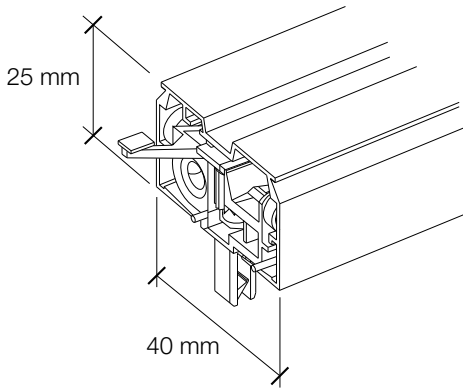
Colours: anodized aluminium or white



In order to fix the upper motor, use assembly profile motor A. Cut-out the upper part in the front zone of the recess profile to create space for the motor. Length of the cut: motor length + 70 mm, plus the length of a possible additional module

End cap for the recess profile, grey or white versions available

# METRIC III SLOPE TECHNIQUE



**Track** Track in extruded aluminium. The safety clutch prevents any over-speeding of the gears and thus ensures an even turning of the blinds

**Colours** Standard anodized aluminium  
Standard white RAL 9016  
Other RAL-colours upon inquiry

**Operation** Opening and closing of the blinds by means of the draw cord mechanism. Turning of the blinds by 180° with chain

**Cord** grey or white

**Chain** bead chain in grey or white

**Blind widths** approx. 89 mm  
approx. 127 mm

**Size of system** Maximum width 700 cm  
Maximum height 400 cm  
Maximum surface 28 m<sup>2</sup>

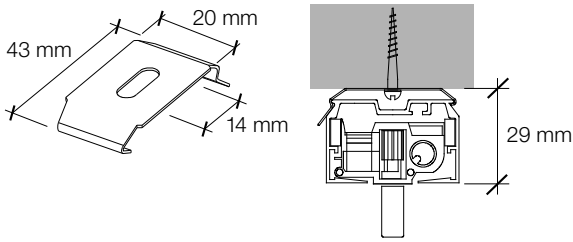
Max. inclination angle: 55°

**Package arrangement** Blinds package and operation always at the greater height

Blinds package always at the greater height, operation at the lower height

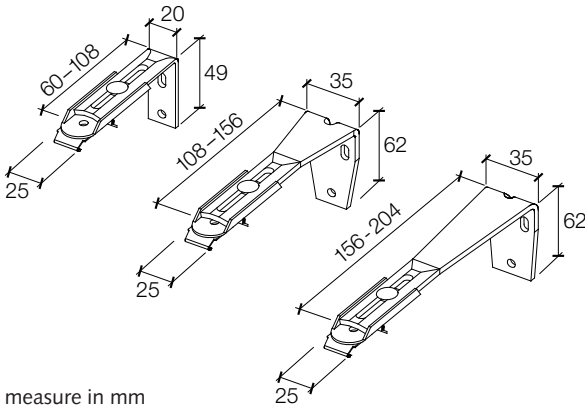
**Blind versions** Standard welded weighting plates, connecting chain upon inquiry

# METRIC III SLOPE INSTALLATION



Ceiling Fixing to ceiling only by means of the clips

Colours: stainless steel or white

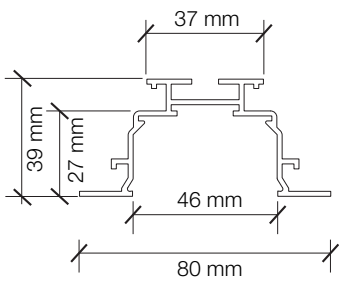


measure in mm

Wall Fixing to wall by means of the supporting bracket/extractable preassembled clips

60 – 108 mm  
108 – 156 mm  
156 – 204 mm

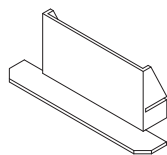
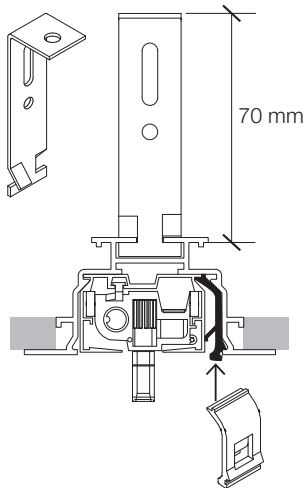
Colours: galvanized steel or white



Suspended from the ceiling

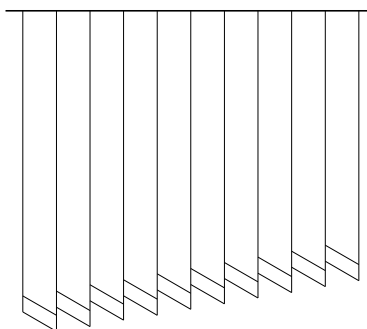
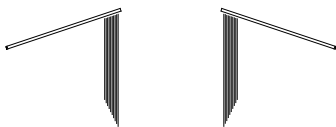
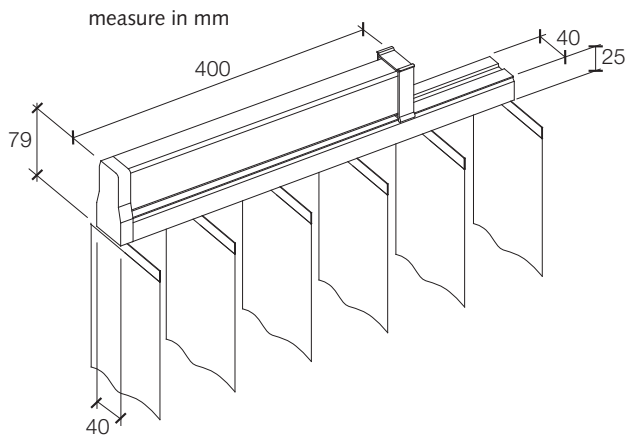
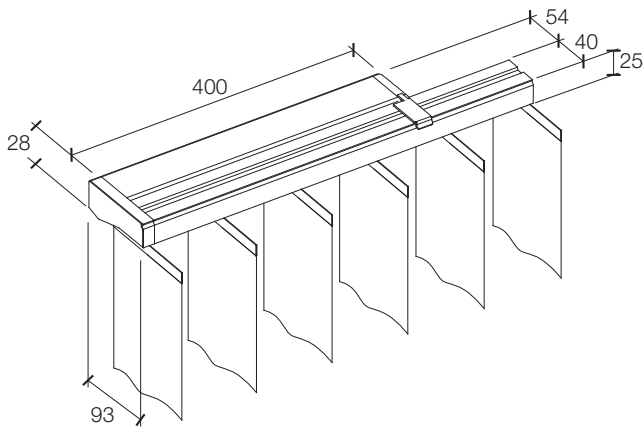
Recess profile: aluminium for straight installations, original length: 6 m, Mounting of recess profile by means of suspension brackets, fixing of track with mounting clips

Colours: anodized aluminium or white



End cap of the recess profile (suspended from the ceiling) in grey or white available

# METRIC III POWER SLOPE TECHNIQUE



**Track** Track in extruded aluminium. The safety clutch prevents any over-speeding of the gears and thus ensures an even turning of the blinds

**Colours** Standard anodized aluminium  
Standard white RAL 9016  
Other RAL-colours upon inquiry

**Motor** Opening and closing as well as turning of the blinds by 180° with the electric motor, right or left (behind the track). Motor located in upper right or left area of the track – for suspension from ceilings, upon inquiry

**Colours** Standard anodized aluminium  
Standard white RAL 9016

**Operation** re. electric versions

**Blind widths** approx. 89 mm  
approx. 127 mm

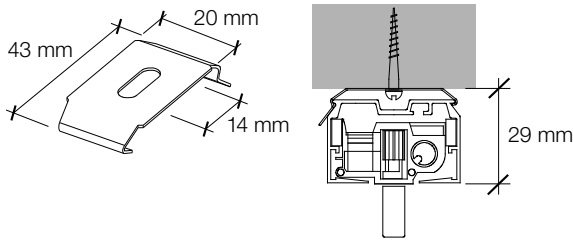
**Size of system** Maximum width 700 cm  
Maximum height 400 cm  
Maximum surface 28 m<sup>2</sup>

Max. inclination angle: 55°

**Package arrangement** Blinds package and operation always at the greater height

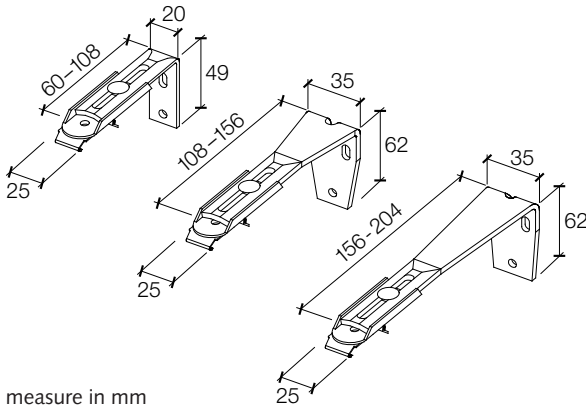
**Blind versions** Standard welded weighting plates, connecting chain upon inquiry

# METRIC III POWER SLOPE INSTALLATION



Ceiling Fixing to ceiling only by means of the clips

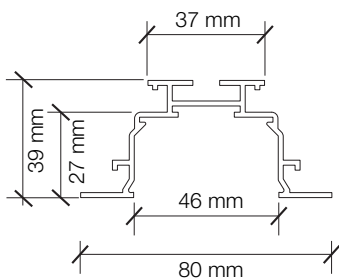
Colours: stainless steel or white



Wall Fixing to wall by means of the supporting bracket/extractable preassembled clips

60 – 108 mm  
108 – 156 mm  
156 – 204 mm

Colours: galvanized steel or white

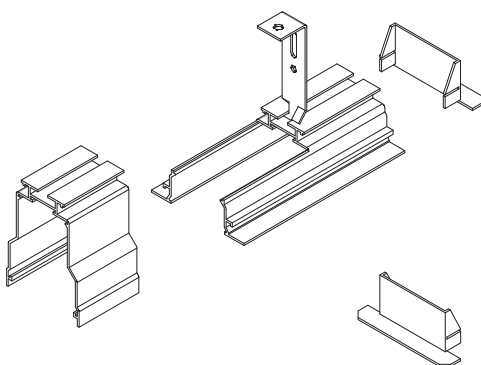
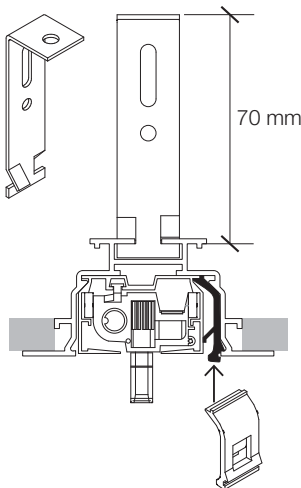


Suspended from the ceiling

Motor on top of the track

Recess profile: aluminium for straight installations, original length: 6 m, Mounting of recess profile by means of suspension brackets, fixing of track with mounting clips

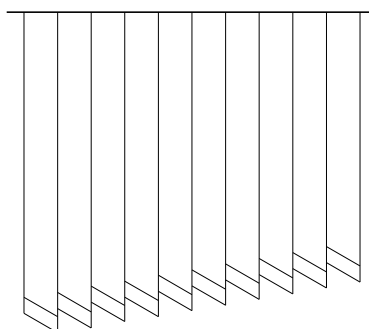
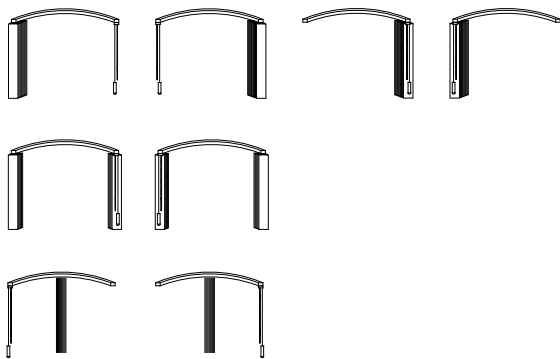
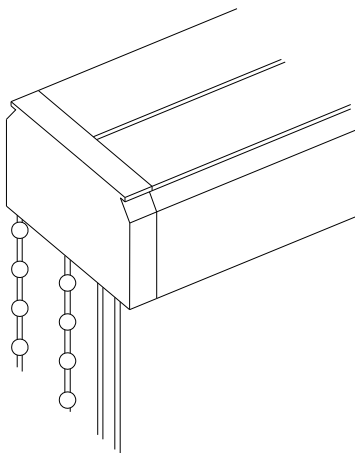
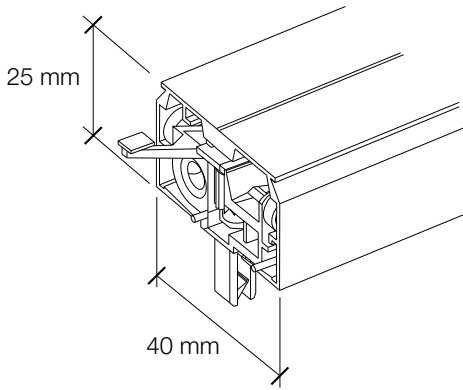
Colours: anodized aluminium or white



In order to fix the upper motor, use assembly profile motor A. Cut-out the upper part in the front zone of the recess profile to create space for the motor. Length of the cut: motor length + 70 mm, plus the length of a possible additional module

End cap of the recess profile (suspended from the ceiling) in grey or white available

# METRIC III HORIZONTALLY CURVED TECHNIQUE



**Track** Track in extruded aluminium. The safety clutch prevents any over-speeding of the gears and thus ensures an even turning of the blinds

**Colours** Standard anodized aluminium  
Standard white RAL 9016  
Other RAL-colours upon inquiry

**Operation** Opening and closing of the blinds by means of the draw cord mechanism. Turning of the blinds by 180° at a transmission ratio of 4:1 with chain

**Cord** grey or white

**Chain** bead chain in grey or white

**Blind widths** approx. 89 mm  
approx. 127 mm

**Size of system** Maximum width 560 cm\*  
Maximum height 400 cm  
Maximum surface 22 m<sup>2</sup>

\*stretched rail length

**Minimum radius** Blind approx. 127 mm width 90 cm  
Blind approx. 89 mm width 65 cm

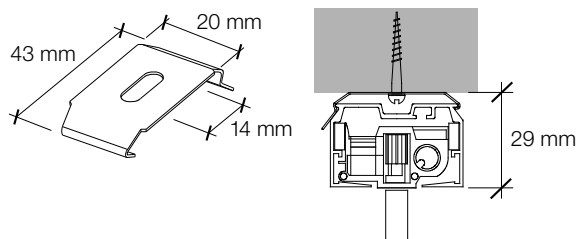
**Package arrangement** Blinds package/operation left, right or on other side

Blinds package split (even number of blinds)

Blinds package in the middle (even number of blinds)

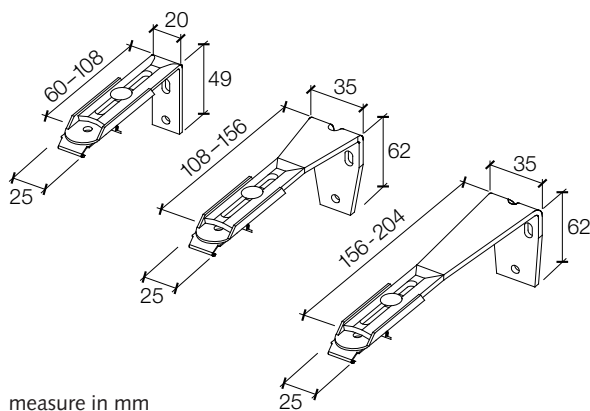
**Blind versions** Standard welded weighting plates, connecting chain upon inquiry

# METRIC III POWER HORIZONTALLY CURVED INSTALLATION



Ceiling Fixing to ceiling only by means of the clips

Colours: stainless steel or white



Wall Fixing to wall by means of the supporting bracket/extractable preassembled clips

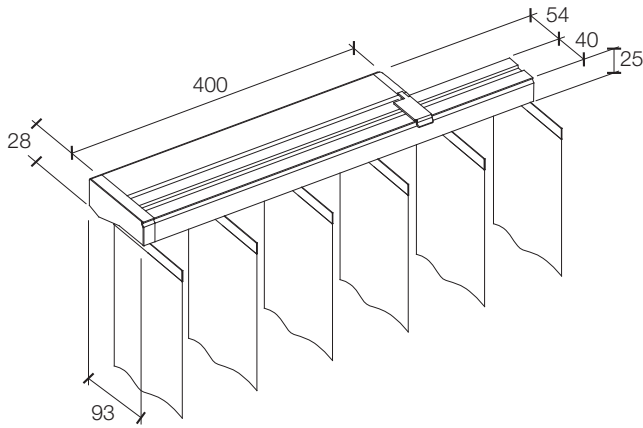
60 – 108 mm  
108 – 156 mm  
156 – 204 mm

Colours: galvanized steel or white

measure in mm



# METRIC III HORIZONTALLY CURVED TECHNIQUE



measure in mm

**Track** Track in extruded aluminium. The safety clutch prevents any over-speeding of the gears and thus ensures an even turning of the blinds

**Colours** Standard anodized aluminium  
Standard white RAL 9016  
Other RAL-colours upon inquiry

**Motor** Opening and closing as well as turning of the blinds by 180° with the electric motor, right or left (behind the track)  
The track needs to be equal to a straight line that is at least 440 mm long

**Colours** Standard anodized aluminium  
Standard white RAL 9016

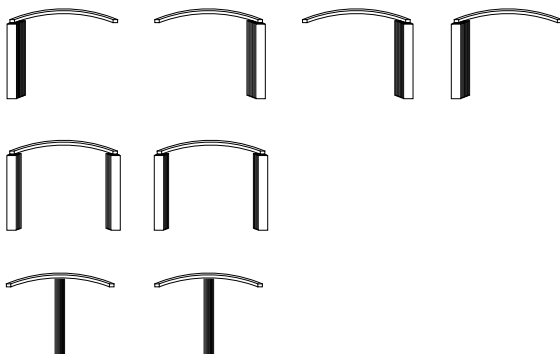
**Operation** re. electric versions

**Blind widths** approx. 89 mm  
approx. 127 mm

**Size of system** Maximum width 560 cm\*  
Maximum height 400 cm  
Maximum surface 22 m<sup>2</sup>

\*stretched rail length

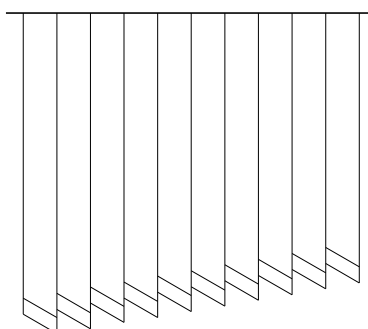
**Minimum radius** Blind approx. 127 mm width 90 cm  
Blind approx. 89 mm width 65 cm



**Package arrangement** Blinds package/operation left, right or on other side

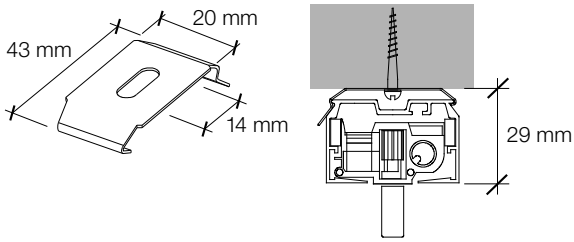
Blinds package split (even number of blinds)

Blinds package in the middle (even number of blinds)



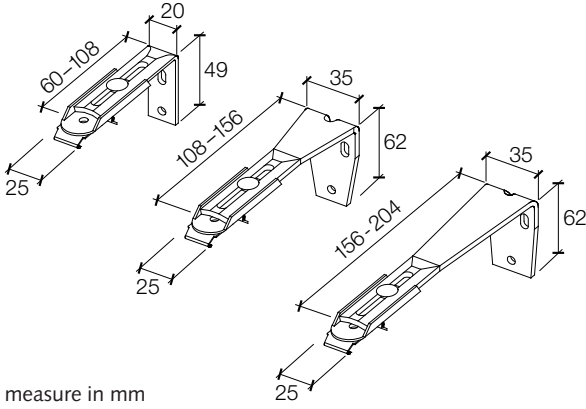
**Blind versions** Standard welded weighting plates, connecting chain upon inquiry

# METRIC III HORIZONTALLY CURVED INSTALLATION



Ceiling Fixing to ceiling only by means of the clips

Colours: stainless steel or white



Wall Fixing to wall by means of the supporting bracket/extractable preassembled clips

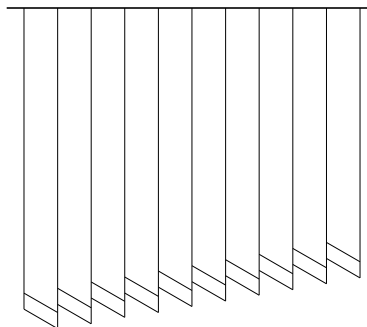
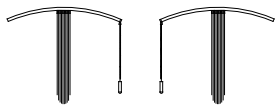
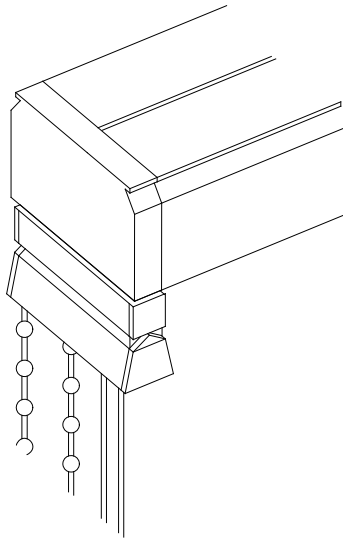
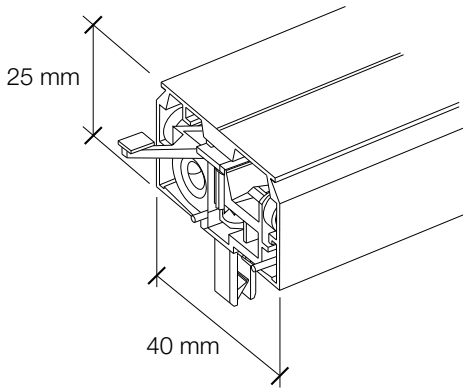
60 – 108 mm

108 – 156 mm

156 – 204 mm

Colours: galvanized steel or white

# METRIC III VERTICALLY CURVED TECHNIQUE



**Track** Track in extruded aluminium. The safety clutch prevents any over-speeding of the gears and thus ensures an even turning of the blinds

**Colours** Standard anodized aluminium  
Standard white RAL 9016  
Other RAL-colours upon inquiry

**Operation** Opening and closing of the blinds by draw cord / draw cord break mechanism.  
Turning of blinds by 180° at a transmission ratio of 4:1 by means of the chain.  
Electric versions, upon inquiry

**Cord** grey or white

**Chain** bead chain in grey or white

**Blind widths** approx. 89 mm  
approx. 127 mm

**Size of system** Maximum width 560 cm\*  
Maximum height 400 cm  
Maximum surface 22 m<sup>2</sup>

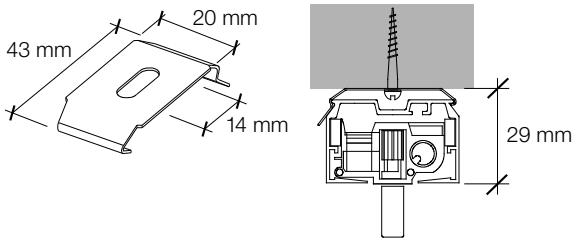
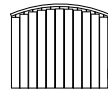
\*stretched rail length

**Minimum radius** Minimum radius: 50 cm  
Max. inclination angle: 110°

**Package arrangement** Blinds package in the middle (even number of blinds)  
Operation left or right

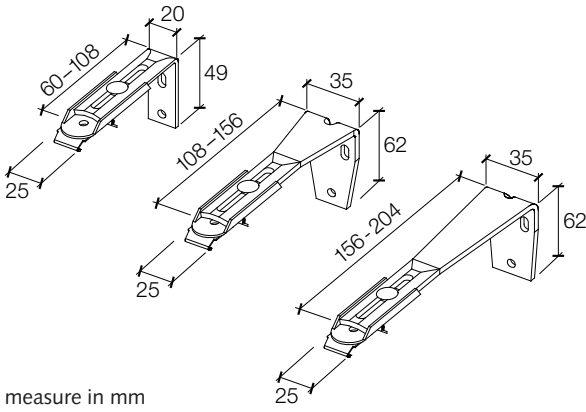
**Blind versions** Standard welded weighting plates, connecting chain upon inquiry

# METRIC III VERTICALLY CURVED INSTALLATION



Ceiling Fixing to ceiling only by means of the clips

Colours: stainless steel or white



measure in mm

Wall Fixing to wall by means of the supporting bracket/extractable preassembled clips

60 – 108 mm

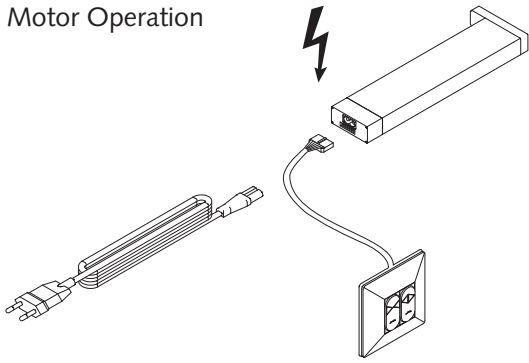
108 – 156 mm

156 – 204 mm

Colours: galvanized steel or white

# METRIC III POWER VERSIONS MOTOR OPERATION

Motor Operation

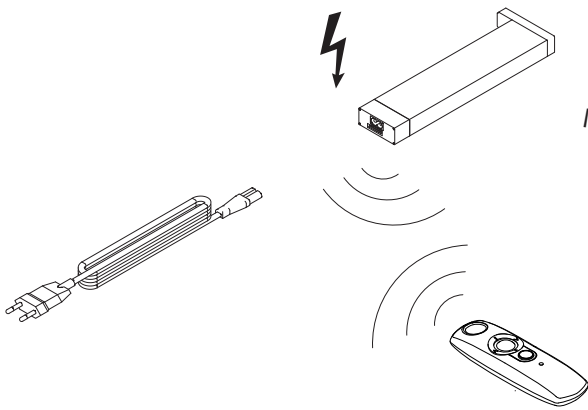


METRIC POWER  
Push button  
operation

A completely modular motor system with individual components that can be combined flexibly with one another

Particular characteristics:

- Application on the left or right of the track (on side or on top)
- 230 V electrical power supply always connected direct to the motor via an internal network component
- Automatic cutoff in case of overload
- Automatic partial opening to at least 25° before curtain moves
- Turning of the blinds by 180°
- Soft start/soft stop



METRIC POWER  
RTS  
Radio remote  
control

Particular characteristics:

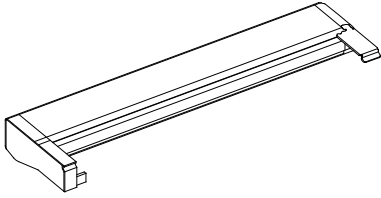
- Application on the left or right of the track (on side or on top)
- 230 V electrical power supply always connected direct to the motor via an internal network component
- Automatic cutoff in case of overload
- Automatic partial opening to at least 25° before curtain moves
- Turning of the blinds by 180°
- Handy fine adjustment
- Integral radio receiver
- Soft start/soft stop

Checklist  
Motor operation

- 1 Placement motor on track
- 2 Current supply
- 3 Cable connector motor/control
- 4 Power supply cable
- 5 Cable clip

# METRIC III POWER VERSIONS INDIVIDUAL CONTROL

Individual control



Motor  
POWER/  
POWER RTS

The motor steers the movement and turning of the blinds. It is equipped with a «mono-function» so that control elements with two switching functions can be used.

Motor with integrated power supply 230 V in aluminium casing, to be mounted on the left or right behind the track and on the left or right on top the track

Measurements: L400 x W54 x H28 mm

Tractive force: 80 Ncm on the sprocket

Input voltage: 180–264 volt AC

Feed frequency: 50–60 Hz

Current

consumption: max. 0.35 A at 180 volt AC

Onsetting

current: < 10 A

Control voltage: extra low voltage

Control current: 10 mA/control sign

Driving speed: 5 m/min

End position sensing: electronically by programming

Operation

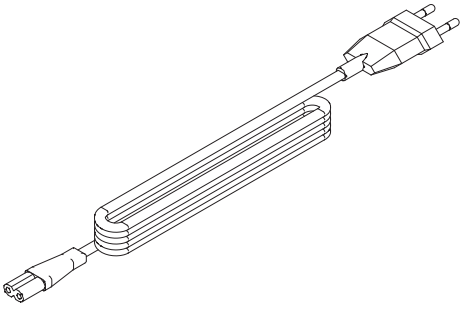
temperature: 0–70° C

Colours Standard anodized aluminium  
Standard white RAL 9016

Automatic cut off in case of overload!

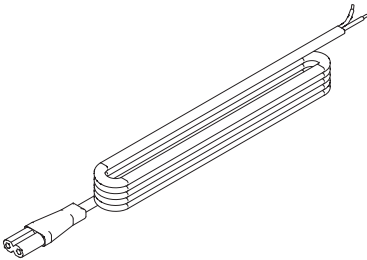
As an option, the METRIC III POWER motor also includes an RTS module for control via Somfy RTS radio transmitter

## METRIC III POWER VERSIONS INDIVIDUAL CONTROL



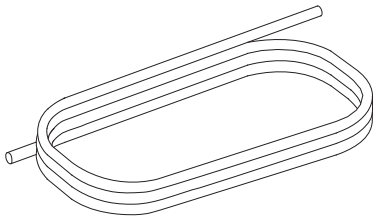
Connector 230 V connector with jack on the motor and a Euro connector for the motor's power supply

Cable: 2 x 0,75 mm<sup>2</sup>  
Length: 2 m  
Colour: white

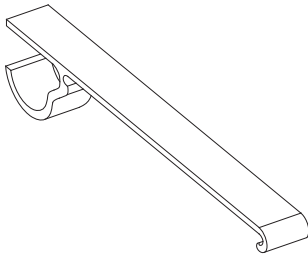


Connector 230 V connector with jack on the motor for the motor's power supply

Cable: 2 x 0,75 mm<sup>2</sup>  
Length: 5 m  
Colour: white

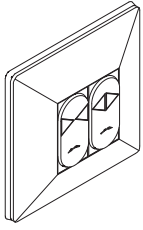


Cable connector control/motor Control cable 4x0.14 mm<sup>2</sup>  
per running meter  
Colour: white

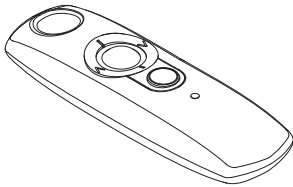


Cable clip Can be clipped on to the track to guide the cable behind the track

## METRIC III POWER VERSIONS INDIVIDUAL CONTROL



Control Touch buttons  
Measurements: L17xW82xH82 mm  
Functions: Turning right/left  
opening/closing  
Colour: white



Radio hand transmitter Convenient and practical to operate via a handheld radio transmitter:  
1-channel TELIS 1 Modulis Var RTS  
5-channel TELIS 4 Modulis Var RTS

Handy fine adjustment of turning blinds

Scroll wheel for elegant positioning

Group controls Group controls possible as of 2 installations (upon inquiry)

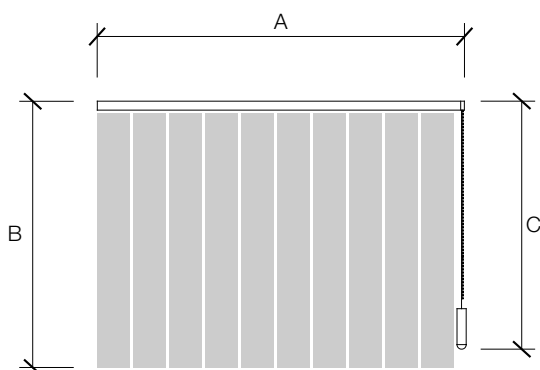
External control elements Other control elements (SOMFY, etc.) for individual or group control, can be added by means of additional modules (upon inquiry)



# MEASURING AND INSTALLATION HORIZONTALLY



The vertical blinds systems are customized. Therefore, they cannot be replaced or taken back. Please use the preprinted forms to place your order



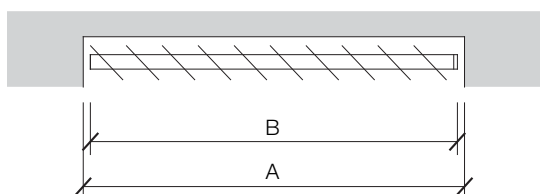
Width of the system

Width of the overall blinds when closed

Height of the system

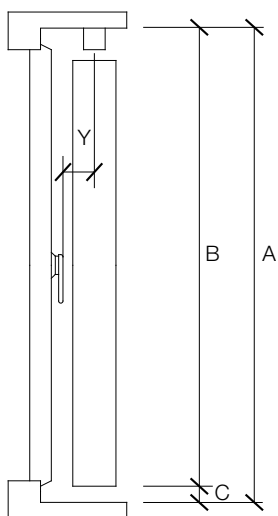
Upper edge of the track (incl. clips) to the lower edge of the blinds

- A – Width of the system
- B – Height of the system
- C – Draw cord length



In the case of window niches or wall-to-wall installations, deduct approx. 1 cm from the measurements of the niche, that is to say the wall-to-wall distance

- A – niche width
- B – installation width =  
niche width  $\cdot$  .1 cm



The height of the system is the height where the light breaks through  $\cdot$  approx. 2–3 cm from the window bank, that is to say from the floor. The distance from the middle of the track to the point jutting out the furthest (e.g. the window handle or the pivot-hung window) must be as follows:

- Blind approx. 127 mm wide min. 7 cm
- Blind approx. 89 mm wide min. 5 cm

- A – Height where the light breaks through
- B – Height of the system
- C – Distance to floor
- Y – Distance between the middle of the track and the point jutting out the furthest

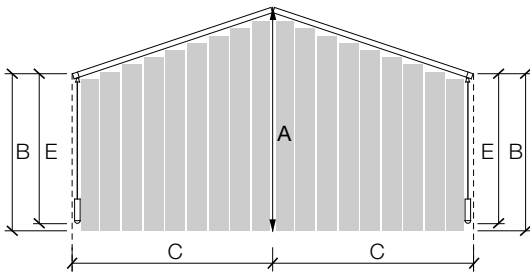
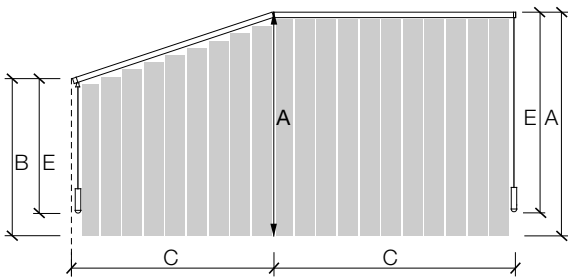
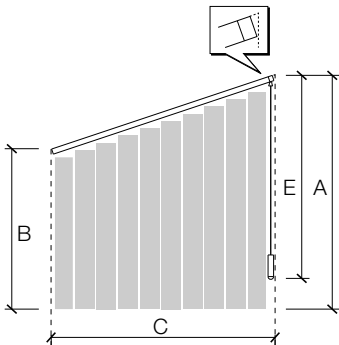
Checklist  
Measuring horizontal  
installations

- 1 Width of system
- 2 Height of system
- 3 Arrangement of blinds package
- 4 Operation side
- 5 Operation length
- 6 Choice of textile blinds
- 7 Fixing to the ceiling or the wall
- 8 Distance to wall

# MEASURING AND INSTALLATION SLOPE



The vertical blinds systems are customized. Therefore, they cannot be replaced or taken back. Please use the preprinted forms to place your order



- Slope
1. Determine which overall zone by the system is to be covered
  2. Mark the upper corner points
  3. Plumb and mark the upper corner points of the basis (e.g. window-sill, floor)
  4. Measure the basic width between these marks = width to order (do not deduce anything from this width)
  5. Measure the height. Pay attention to the necessary deductions (i.e. approx. 2–3 cm distance to floor)

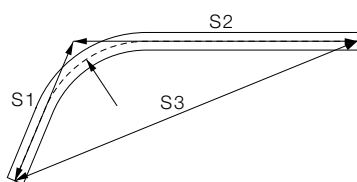
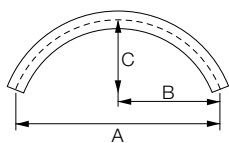
- A – Largest system height in mm
- B – Smallest system height in mm
- C – Basic width = width to order
- E – Length of draw cord

The blinds package is always to be placed on the greatest height. Inclination angle of a maximum of 55°.

Please mark the overlapping of the blinds in the case of two adjacent systems (can only be operated on the opposite side)

- |  |  |
|--|--|
| <p>Checklist</p> <p>Measuring of slope installations</p> | <ol style="list-style-type: none"> <li>1 Largest system height in mm</li> <li>2 Smallest system height in mm</li> <li>3 Basic width = width to order</li> <li>4 Arrangement of blinds packages</li> <li>5 Operation side</li> <li>6 Operation length</li> <li>7 Choice of textile blinds</li> <li>8 Mounting on to ceiling or wall</li> <li>9 Distance to wall</li> <li>10 Sketch</li> </ol> |
|--|--|

# MEASURING AND INSTALLATION HORIZONTALLY CURVED



View from  
the top

The vertical blinds systems are customized. Therefore, they cannot be replaced or taken back. Please use the preprinted forms to place your order

Measuring the chord width:

Determine the depth of the arch at half chord width.

- A – Chord width
- B – Half Chord width
- C – Arch depth

Measuring the straight stretches up to the assumed cutting point.

- S1– Stretch 1
- S2– Stretch 2
- S3– Stretch 3

Add system height  
Add operation side  
Add operation height

Minimum radiuses:  
Blind approx. 127 mm width 90 cm  
Blind approx. 89 mm width 65 cm

The motor assembling requires a minimum straight stretch of 340 mm, with motor plus 12 cm on the operation side. The motor should always be positioned on the outer radius.

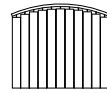
In order to work out everything precisely, we require a sketch or a template.

Additional arch applications upon inquiry

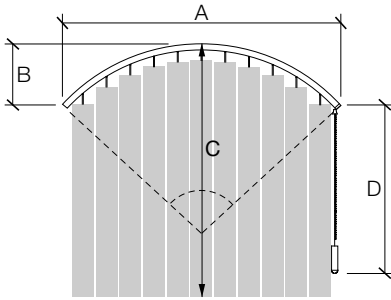
Checklist  
Measuring of arch  
installations

- 1 Measuring according to instructions
- 2 Height of system
- 3 Arrangement of blinds packages
- 4 Operation side
- 5 Operation height
- 6 Choice of textile blinds
- 7 Mounting on ceiling or wall
- 8 Sketch

# MEASURING AND INSTALLATION VERTICALLY CURVED



The vertical blinds systems are customized. Therefore, they cannot be replaced or taken back. Please use the preprinted forms to place your order



Vertical curved

- A – Measuring the chord width
- B – Determining the arch height at half chord width
- C – Height of the system
- D – Operation length

Other versions possible (upon inquiry)

The blinds package is always positioned at the highest point in the middle. Only symmetrical installations are possible

Minimum radius: 50 cm  
Max. inclination angle: 110°

In order to work out everything precisely, we require a sketch or a template.

Additional archway applications upon inquiry

Checklist  
Measuring of arch  
installations

- 1 Measuring of basic, that is to say chord width according to instructions
- 2 Height of system
- 3 Partial measurement, according to instructions
- 4 Operation side
- 5 Operation length
- 6 Choice of textile blinds
- 7 Fixing to ceiling or wall
- 8 Distance to wall
- 9 Sketch







Our comprehensive range and a complete list of our global sales outlets can be found at [www.creationbaumann.com](http://www.creationbaumann.com).

05/2013

Création Baumann AG  
Bern-Zürich-Strasse 23 | CH-4901 Langenthal  
Telephone +41 (0)62 919 62 62 | Fax +41 (0)62 922 45 47  
[mail@creationbaumann.com](mailto:mail@creationbaumann.com) | [www.creationbaumann.com](http://www.creationbaumann.com)

*Création* **baumann**