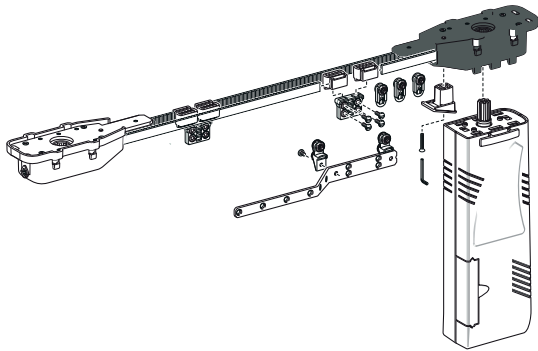


ASSEMBLY INSTRUCTIONS ACOUSTIC DIVIDER MONOTRAC MEZZO & GRANDE POWER



Profile: aluminium profile Monotrac Mezzo & Grande
Power Curtain division: one-piece or two-piece

Mounting accessories:

1. Double cover bar in profile
2. Roller glider with bar on NoiseBlocker or NoiseSilencer
3. Clip motor 4 pcs.
4. Cable ties 5 pcs.
5. Metal bar without roller

Tool:

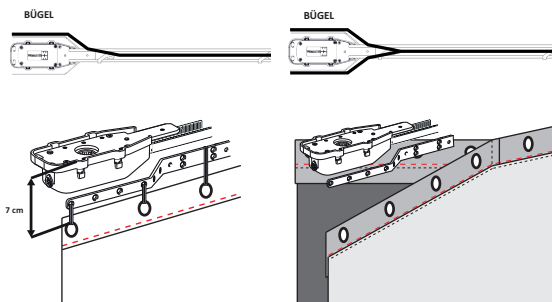
1. Edge cutter for metal cable ties
2. Trim the fine pliers for the cable tie edge



Mounting inner layers NoiseBlocker and NoiseSilencer

The roller gliders are connected to the NoiseBlocker or NoiseSilencer inner layers using stainless steel cable ties. Hook the inner layers with the roller glides into the rail.

Always mount the tracks of the NoiseBlocker with one eyelet overlapping. Only retract the last roller glider of the first track after the first roller glider of the second track. Always start with full lanes and add narrower or half lanes at the end.



Fit inner layer NoiseBlocker 1 layer on 1 outer bracket.

Fit 2 layers of NoiseSilencer inner layer on 2 outer brackets.

Top edge of technology to top edge of eyelet approx. 50mm



Leave the last 3 eyelets on the cover bracket free or use a tool to remove the cable tie and roller.

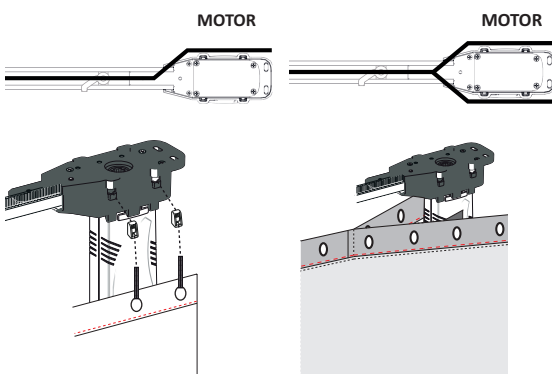
Mount the NoiseBlocker or NoiseSilencer on the bracket using cable ties.



Shorten the cable ties and insert the edges with pliers.



Shorten the cable ties and insert the edges with pliers.



Fasten inner layer NoiseBlocker 1 layer with cable tie on clip on motor side.

Attach the NoiseSilencer 2-ply inner layer to the clip on both sides of the motor using cable ties.

Top edge of technology to top edge of eyelet approx. 50mm.

Leave the last eyelet of the NoiseSilencer or NoiseBlocker inner layer on the motor free or use a tool to remove the cable tie and roller.



Attach the NoiseBlocker or NoiseSilencer to the motor clip using cable ties.



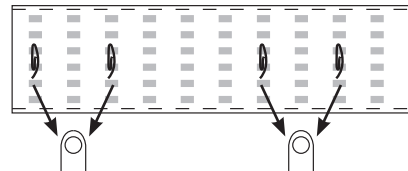
Shorten the cable ties and insert the edges with pliers.

Fitting the outer fabrics

If the NoiseBlocker or NoiseSilencer inner layers are fitted, the outer fabric can be hung above the eyelets in the perforations of the bars directly on the roller.

Use only one hook on the overlapping tracks of the NoiseBlocker, simply omit the overlap.

When making up with pleats, the two hooks for the pleats are hooked into the perforations.



Place the metal bar without roller at the front of the cover bracket and hang the outer fabric with hooks.



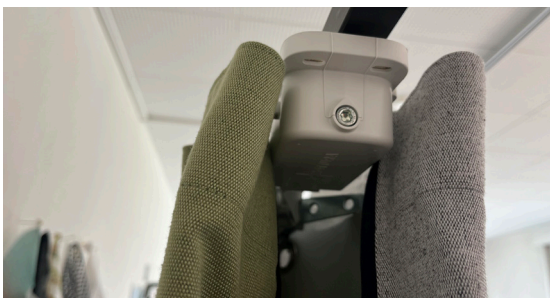
Hook the hook into the perforation from the top of the cover bracket.



Fold the fabric over and hang the last hook on the inside of the cover hanger.



Close both sides of the cover bracket.



Hook the last hook into the clip on the motor.





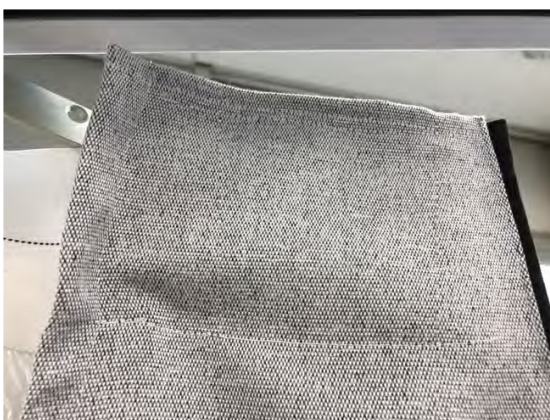
If necessary, move the hook in the pleated band slightly.



Close the sides with Velcro and lace.



After hanging up the outer fabrics, the final sides of the NoiseBlocker or NoiseSilencer can be fitted with the clips at the top, centre and bottom and finally closed smoothly and flush into the Velcro fleece tape with a little tension.



Side hems Electro split in the centre:
Acoustic Divider 1 pair split in the centre

Fix the top fold approx. 1600 mm with hooks on both sides of the inside cover bracket.

Close the turn-in at the bottom hem.