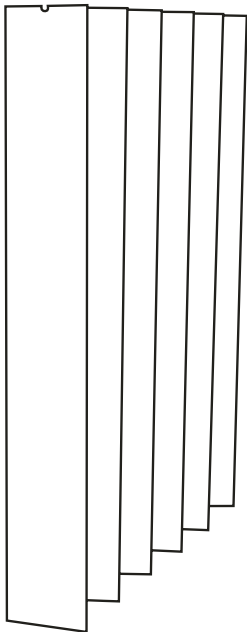


MANUAL VERTICAL BLINDS

VALID FROM OCTOBER 1, 2024



VERTICAL BLINDS METRIC III

Création Baumann's vertical blinds system with its tried and tested carriage, integrated safety clutch and stainless steel spacers offers numerous different possibilities of use.

The modular technique allows for perfect fitting to standard rooms as well as for the designing and furnishing of exclusive living spaces.

In combination with the typical Création Baumann fabric blinds, this vertical blinds system forms a harmonious and uniform look. The individual textile blinds are produced in widths ranging in approx. 127 mm and are treated to ensure form stability thanks to a special fabrication process that also guarantees a soft feel and a typical textile character.

TABLE OF CONTENTS

HORIZONTAL SYSTEMS

Metric III – Cord/Chain	5
Metric III – Mono	8
Metric III – Power	11

SLOPED SYSTEMS

Metric III – Slope	14
Metric III – Slope Power	16

CURVED SYSTEMS

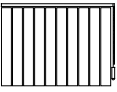
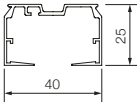
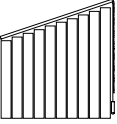
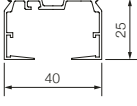

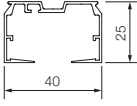
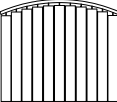
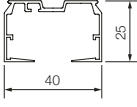
Metric III – Horizontally Curved	18
Metric III – Horizontally Curved Power	20
Metric III – Vertically Curved	22

OPERATION/CONTROL

Metric III – Power Versions Motor Operation	24
Metric III – Power Versions Individual Control	25

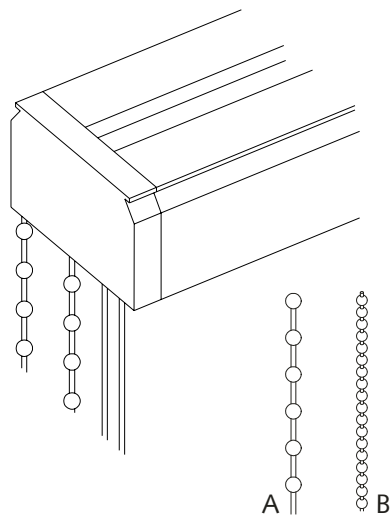
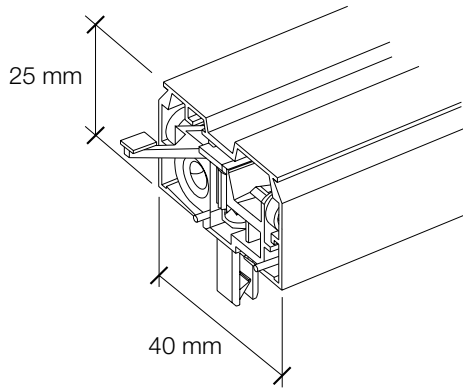
MEASURING AND INSTALLATION

Metric III – Horizontally	28
Metric III – Slope	29
Metric III – Horizontally Curved	30
Metric III – Vertically Curved	31

Article	Operation					Application			Profile measures in mm	Options				Installations				Measures of system		
	Chain / Cord	Chain Mono	Chain / Cord Cordstop	Motor behind	Motor above	Lateral opening	Central opening	Middle opening		Blinds 127 mm	Recess profile	Hook change	Package movement	Ceiling	Ceiling support	Wall	Suspended ceiling	Max. width cm	Max. height cm	Min. radius cm
METRIC III HORIZONTAL 	■	■		■	■	■	■	■		■	■	■	■	■	■	■	700 Mono 600	400 400		
METRIC III SLOPE 			■	■	■	■				■	■	■			■	700**	400			
METRIC III HORIZONTALLY CURVED 	■			■*		■	■	■		■		■	■	■	■	560	400	90		
METRIC III VERTICALLY CURVED 			■	■*		■		■		■	■		■	■		560	400	50		

* The track needs to be equal to a straight line that is at least 400 mm long.

** rail length



Track Track in extruded aluminium.
The safety clutch prevents any over-speeding of the gears and thus ensures an even turning of the blinds

Colours Standard anodized aluminium
Standard white RAL 9016
Standard black RAL 9005
Other RAL-colours upon inquiry

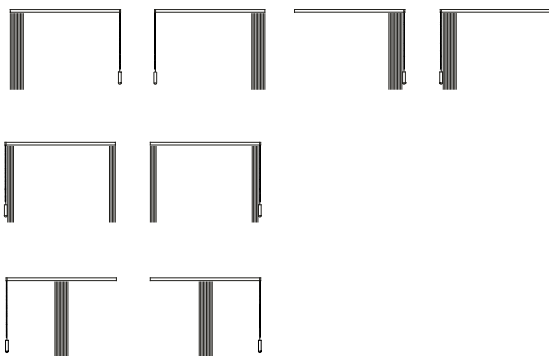
Operation Opening and closing of the blinds by means of the draw cord mechanism.
Turning of the blinds by 180° with chain

Cord grey, white or black

Chain A Bead chain in plastic, grey, white or black
B Nickel plated metal chain

Blind widths approx. 127 mm

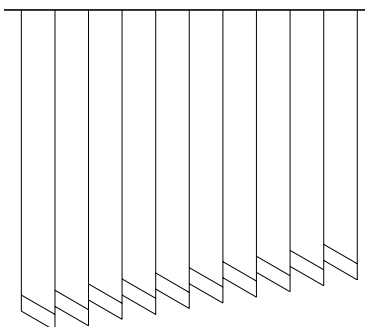
Size of system Maximum width 700 cm
Maximum height 400 cm
Maximum surface 28 m²
Hanging weight max. 20 kg / system



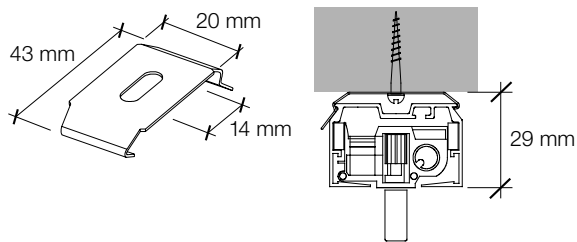
Package arrangement Blinds package/operation left, right or on other side

Blinds package split
(even number of blinds)

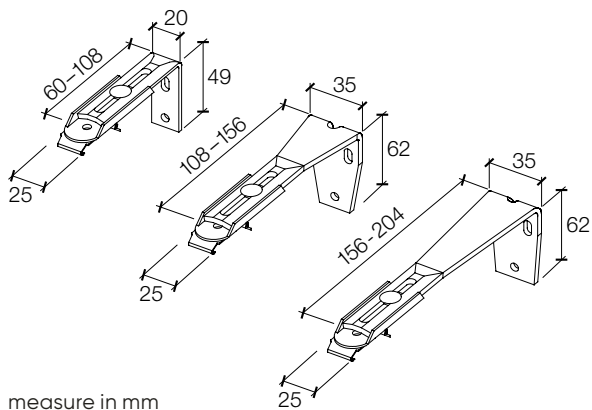
Blinds package in the middle
(even number of blinds)



Blind versions Flush-fitting welded weighting plates, connecting chain upon inquiry



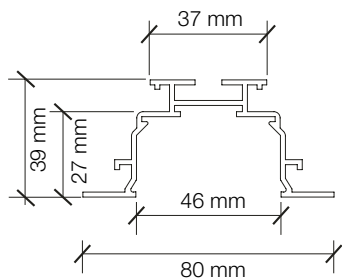
Ceiling Fixing to ceiling only by means of the clips
Colours: stainless steel, white or black



Wall Fixing to wall by means of the supporting bracket/extractable preassembled clips
60 – 108 mm
108 – 156 mm
156 – 204 mm

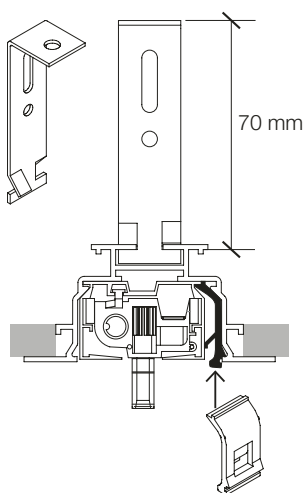
Colours: galvanized steel, white or black

measure in mm

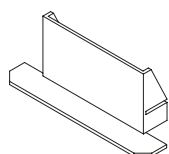


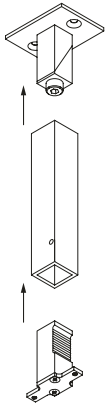
Suspended from the ceiling Recess profile: aluminium for straight installations, original length: 6 m, Mounting of recess profile by means of suspension brackets, fixing of track with mounting clips

Colours: anodized aluminium or white



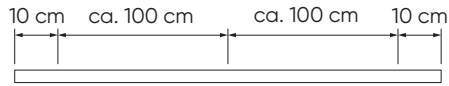
End cap for the recess profile, grey or white versions available





Ceiling support shortened Aluminium profile rectangular 25 × 25 mm, with fixing plate on top (size 70 × 45 mm) and adapter plate at the bottom, complete

Measures Length 200 mm
400 mm
600 mm
800 mm
1000 mm
1200 mm

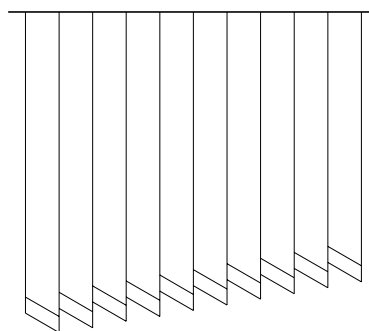
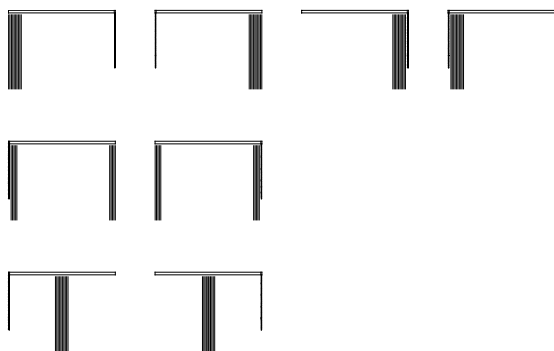
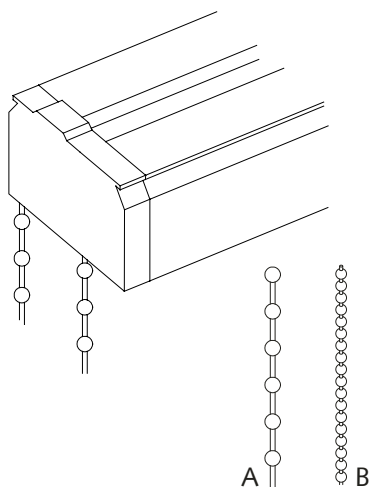
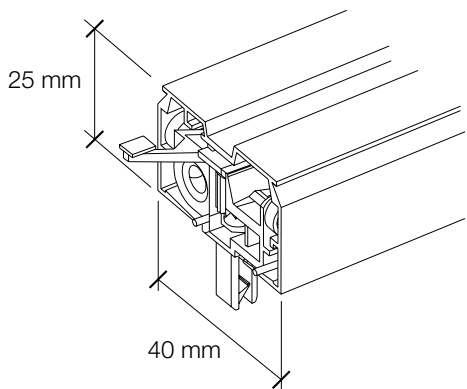


Colours Standard white RAL 9016
Standard grey RAL 9006
Standard black RAL 9005



Position Distance between ceiling support approx. 100–120 cm according to height of support / width of the systems and weight of the curtain

Example Straight with 2 ceiling supports



Track Track in extruded aluminium.
The safety clutch prevents any over-speeding of the gears and thus ensures an even turning of the blinds

Colours Standard anodized aluminium
Standard white RAL 9016
Standard black RAL 9005.
Other RAL-colours upon inquiry

Operation Opening and closing of the blinds by means of the draw cord mechanism.
Turning of the blinds by 180° with chain

Chain A Bead chain in plastic, grey, white or black
B Nickel plated metal chain

Blind widths approx. 127 mm

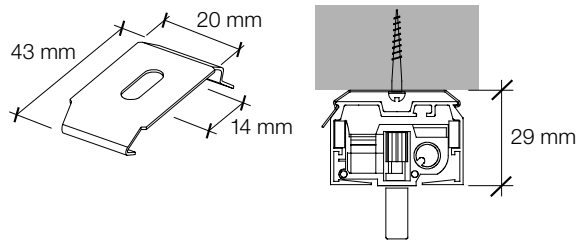
Size of system Maximum width 600 cm
Maximum height 400 cm
Maximum surface 18 m²
Hanging weight max. 10 kg / system

Package arrangement Blinds package/operation left, right or on other side

Blinds package split
(even number of blinds)

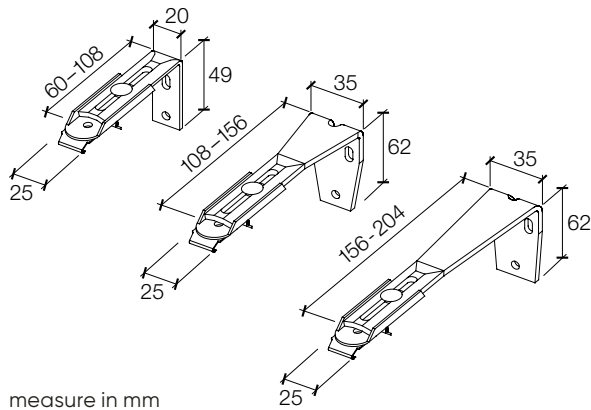
Blinds package in the middle
(even number of blinds)

Blind versions Flush-fitting welded weighting plates, connecting chain upon inquiry



Ceiling Fixing to ceiling only by means of the clips

Colours: stainless steel, white or black

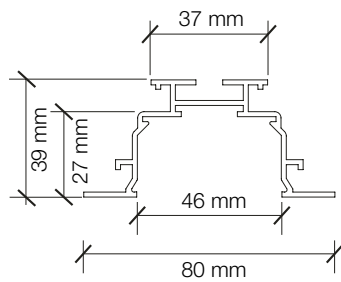


measure in mm

Wall Fixing to wall by means of the supporting bracket/extractable preassembled clips

60 – 108 mm
108 – 156 mm
156 – 204 mm

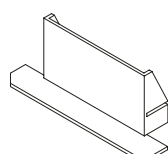
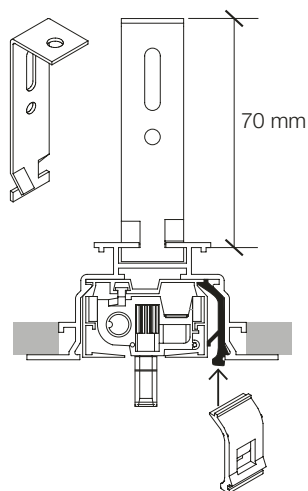
Colours: galvanized steel, white or black



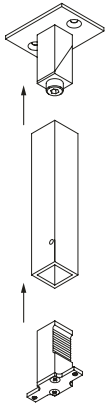
Suspended from the ceiling

Recess profile: aluminium for straight installations, original length: 6 m, Mounting of recess profile by means of suspension brackets, fixing of track with mounting clips

Colours: anodized aluminium or white

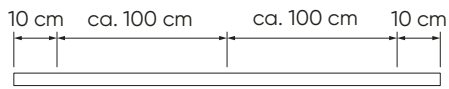


End cap for the recess profile, grey or white versions available



Ceiling support shortened Aluminium profile rectangular 25 × 25 mm, with fixing plate on top (size 70 × 45 mm) and adapter plate at the bottom, complete

Measures Length 200 mm
400 mm
600 mm
800 mm
1000 mm
1200 mm

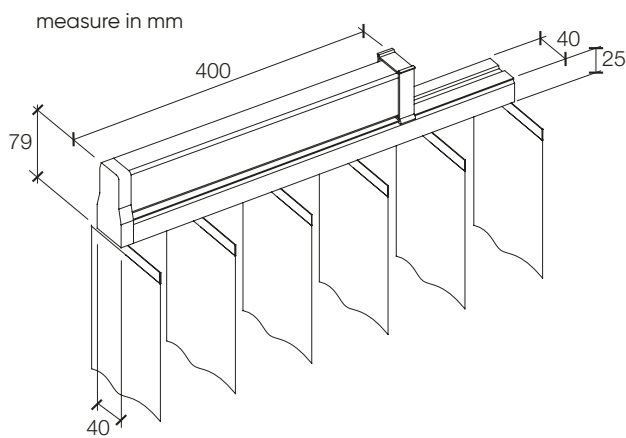
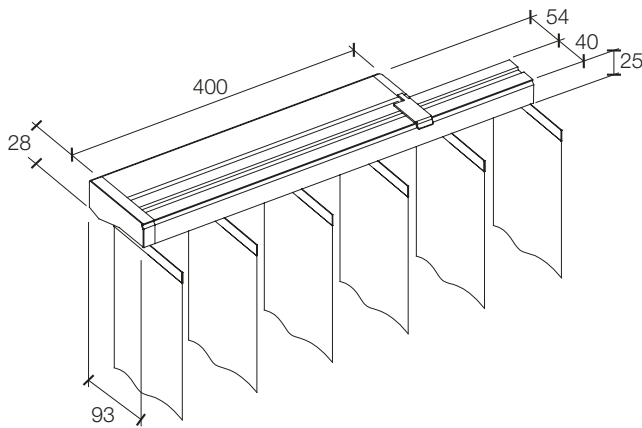


Colours Standard white RAL 9016
Standard grey RAL 9006
Standard black RAL 9005



Position Distance between ceiling support approx. 100–120 cm according to height of support / width of the systems and weight of the curtain

Example Straight with 2 ceiling supports



Track Track in extruded aluminium.
The safety clutch prevents any over-speeding of the gears and thus ensures an even turning of the blinds

Colours Standard anodized aluminium
Standard white RAL 9016
Standard black RAL 9005
Other RAL-colours upon inquiry

Motor Opening and closing as well as turning of the blinds by 180° with the electric motor, right or left (behind the track).
Motor located in upper right or left area of the track – for suspension from ceilings, upon inquiry

Colours Standard anodized aluminium
Standard white RAL 9016
Standard black RAL 9005

Operation re. electric versions

Blind widths approx. 127 mm

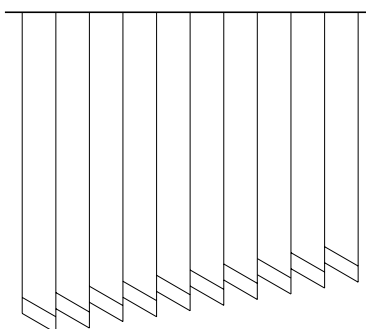
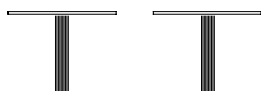
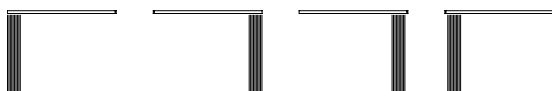
Size of system Maximum width 700 cm
Maximum height 400 cm
Maximum surface 28 m²
Maximum weight 22 kg

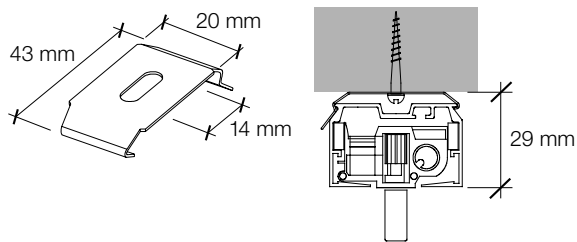
Package arrangement Blinds package/operation left, right or on other side

Blinds package split
(even number of blinds)

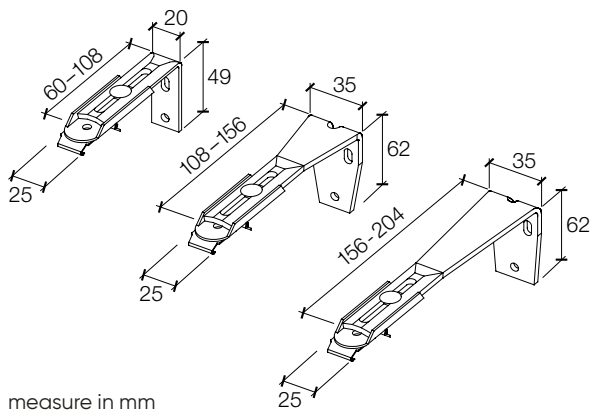
Blinds package in the middle
(even number of blinds)

Blind versions Flush-fitting welded weighting plates, connecting chain upon inquiry





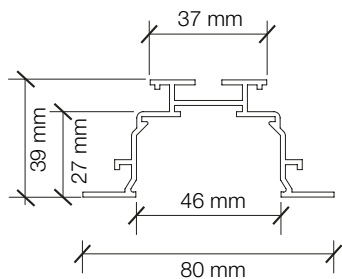
Ceiling Fixing to ceiling only by means of the clips
Colours: stainless steel, white or black



Wall Fixing to wall by means of the supporting bracket/extractable preassembled clips
60 – 108 mm
108 – 156 mm
156 – 204 mm

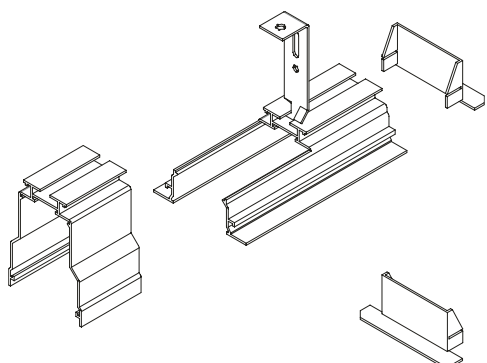
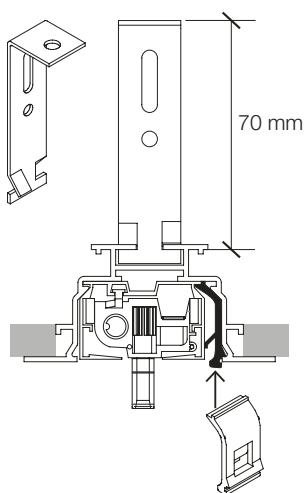
Colours: galvanized steel, white or black

measure in mm



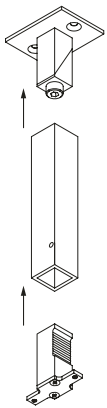
Suspended from the ceiling Recess profile: aluminium for straight installations, original length: 6 m, Motor on top of the track Mounting of recess profile by means of suspension brackets, fixing of track with mounting clips

Colours: anodized aluminium or white



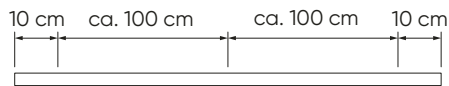
In order to fix the upper motor, use assembly profile motor A. Cut-out the upper part in the front zone of the recess profile to create space for the motor. Length of the cut: motor length + 70 mm, plus the length of a possible additional module

End cap for the recess profile, grey or white versions available



Ceiling support shortened Aluminium profile rectangular 25 × 25 mm, with fixing plate on top (size 70 × 45 mm) and adapter plate at the bottom, complete

Measures Length 200 mm
400 mm
600 mm
800 mm
1000 mm
1200 mm

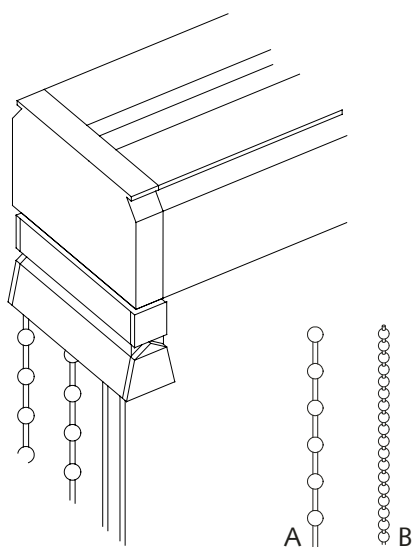
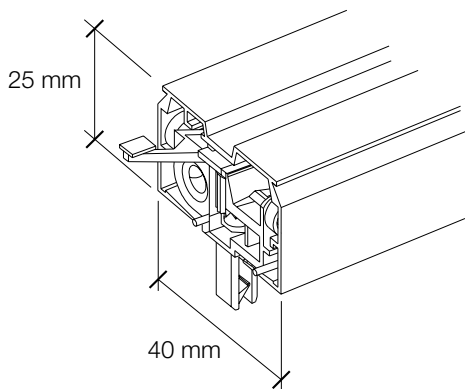


Colours Standard white RAL 9016
Standard grey RAL 9006
Standard black RAL 9005



Position Distance between ceiling support approx. 100–120 cm according to height of support / width of the systems and weight of the curtain

Example Straight with 2 ceiling supports



Track Track in extruded aluminium.
The safety clutch prevents any over-speeding of the gears and thus ensures an even turning of the blinds

Colours Standard anodized aluminium
Standard white RAL 9016
Standard black RAL 9005
Other RAL-colours upon inquiry

Operation Opening and closing of the blinds by means of the draw cord mechanism.
Turning of the blinds by 180° with chain

Cord grey, white or black

Chain A Bead chain in plastic, grey, white or black
B Nickel plated metal chain

Blind widths approx. 127 mm

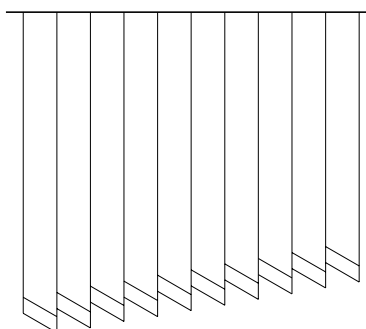
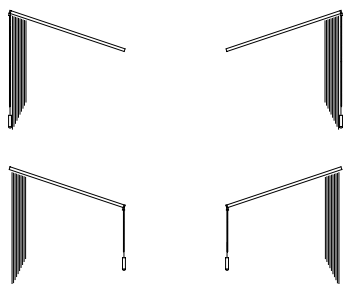
Size of system Maximum rail length 700 cm
Maximum height 400 cm
Maximum surface 28 m²
Maximum weight 5-20 kg (depends on angle)

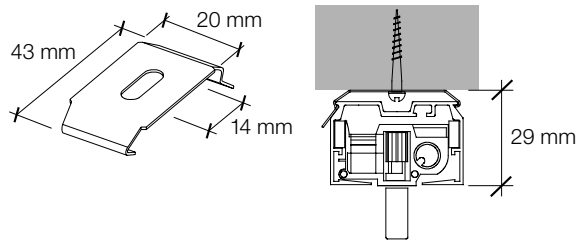
Max. inclination angle: 55°

Package arrangement Blinds package and operation always at the greater height

Blinds package always at the greater height, operation at the lower height

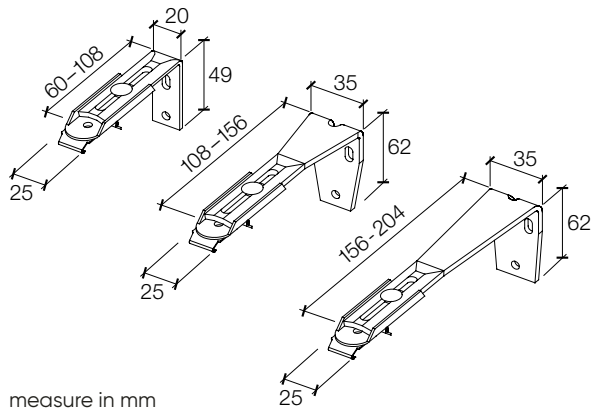
Blind versions Flush-fitting welded weighting plates, connecting chain upon inquiry





Ceiling Fixing to ceiling only by means of the clips

Colours: stainless steel, white or black

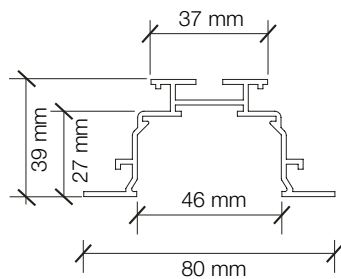


Wall Fixing to wall by means of the supporting bracket/extractable preassembled clips

60 – 108 mm
108 – 156 mm
156 – 204 mm

Colours: galvanized steel, white or black

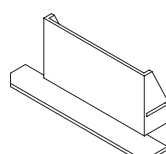
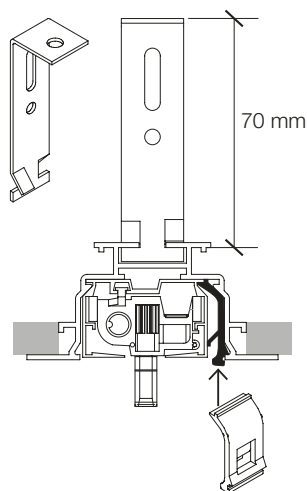
measure in mm



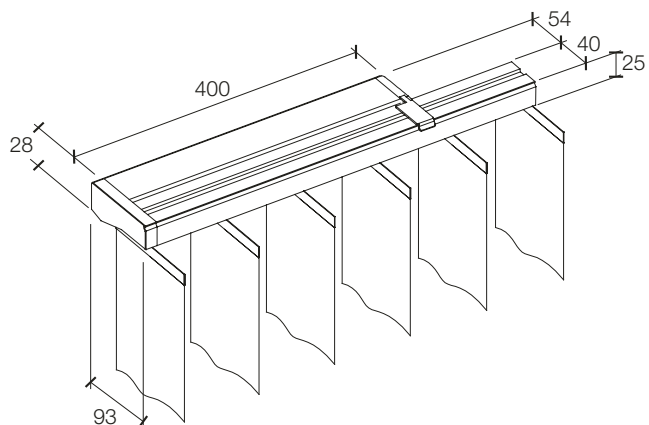
Suspended from the ceiling

Recess profile: aluminium for straight installations, original length: 6 m, Mounting of recess profile by means of suspension brackets, fixing of track with mounting clips

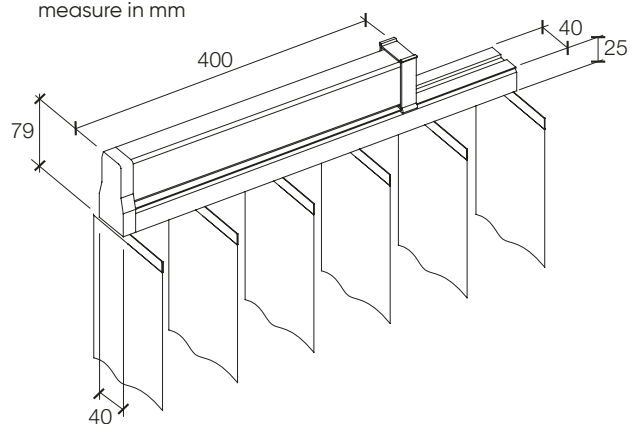
Colours: anodized aluminium or white



End cap of the recess profile (suspended from the ceiling) in grey or white available



measure in mm



Track in extruded aluminium. The safety clutch prevents any over-speeding of the gears and thus ensures an even turning of the blinds

Colours Standard anodized aluminium
Standard white RAL 9016
Standard black RAL 9005
Other RAL-colours upon inquiry

Motor Opening and closing as well as turning of the blinds by 180° with the electric motor, right or left (behind the track). Motor located in upper right or left area of the track – for suspension from ceilings, upon inquiry

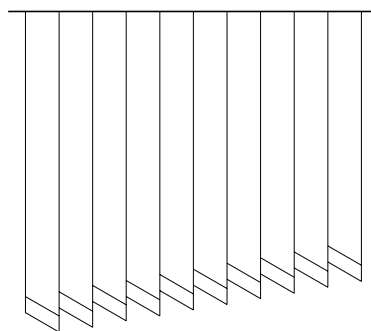
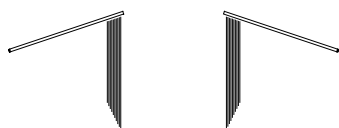
Colours Standard anodized aluminium
Standard white RAL 9016
Standard black RAL 9005

Operation re. electric versions

Blind widths approx. 127 mm

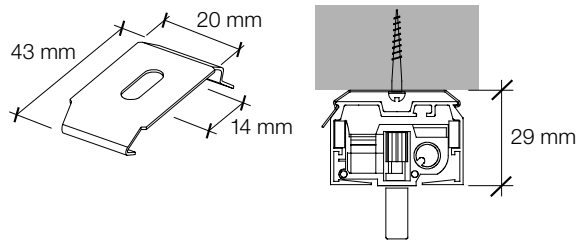
Size of system Maximum width depends on angle
Maximum rail length 700 cm
Maximum height 400 cm
Maximum surface 28 m²
Weight 5 – 20 kg (depends on angle)

Max. inclination angle: 55°



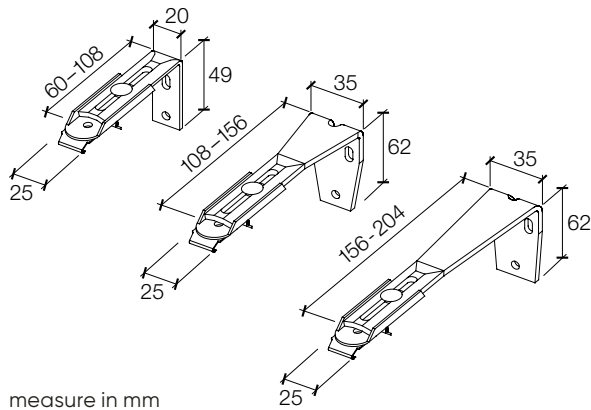
Package arrangement Blinds package and operation always at the greater height

Blind versions Flush-fitting welded weighting plates, connecting chain upon inquiry



Ceiling Fixing to ceiling only by means of the clips

Colours: stainless steel, white or black

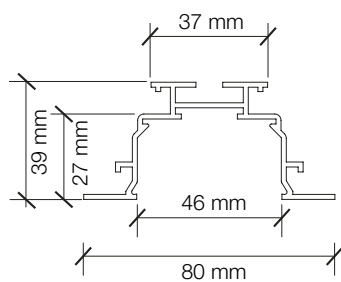


Wall Fixing to wall by means of the supporting bracket/extractable preassembled clips

60 – 108 mm
108 – 156 mm
156 – 204 mm

Colours: galvanized steel, white or black

measure in mm

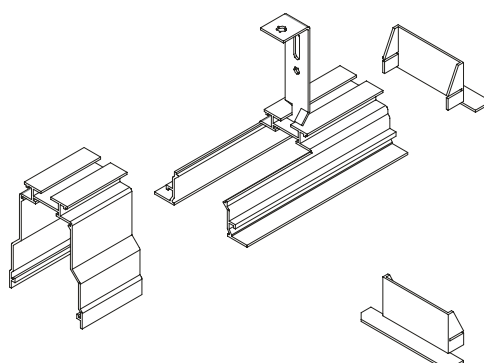
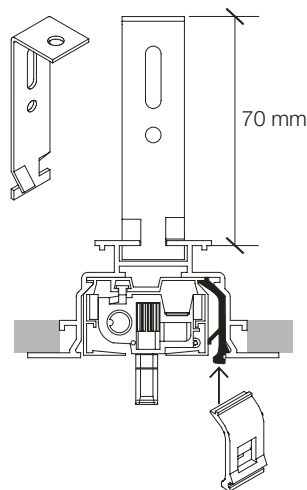


Suspended from the ceiling

Recess profile: aluminium for straight installations, original length: 6 m, Mounting of recess profile by means of suspension brackets, fixing of track with mounting clips

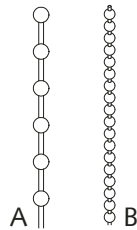
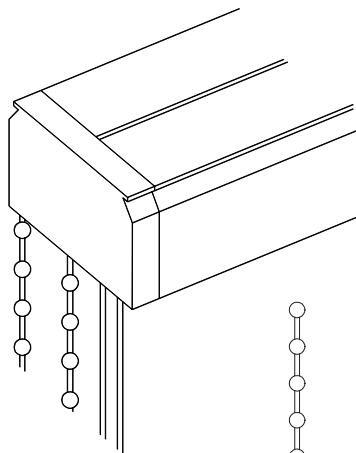
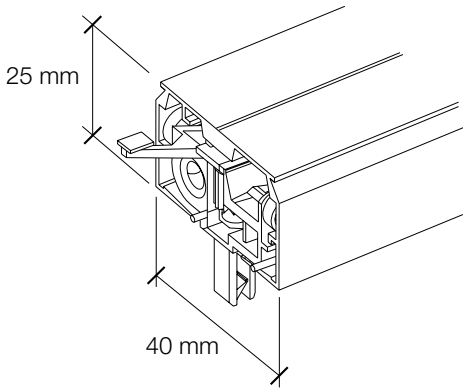
Motor on top of the track

Colours: anodized aluminium or white



In order to fix the upper motor, use assembly profile motor A. Cut-out the upper part in the front zone of the recess profile to create space for the motor. Length of the cut: motor length + 70 mm, plus the length of a possible additional module

End cap of the recess profile (suspended from the ceiling) in grey or white available



Track Track in extruded aluminium.
The safety clutch prevents any over-speeding of the gears and thus ensures an even turning of the blinds

Colours Standard anodized aluminium
Standard white RAL 9016
Other RAL-colours upon inquiry

Operation Opening and closing of the blinds by means of the draw cord mechanism.
Turning of the blinds by 180° at a transmission ratio of 4:1 with chain

Cord grey or white

Chain A Bead chain in plastic, grey, white or black
B Nickel plated metal chain

Blind widths approx. 127 mm

Size of system Maximum width 560 cm*
Maximum height 400 cm
Maximum surface 22 m²
Maximum weight 10 kg

* stretched rail length

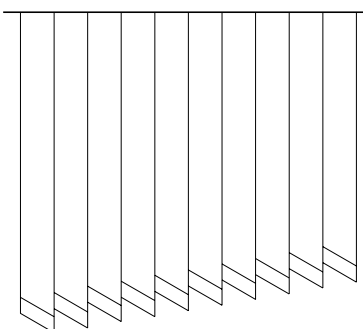
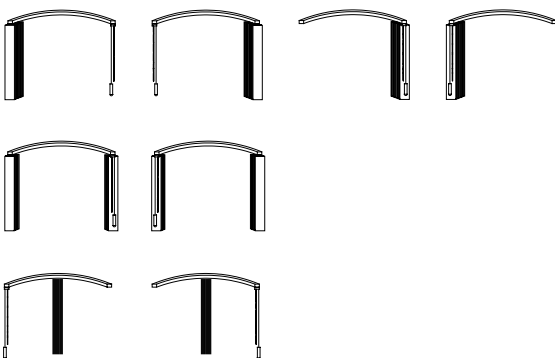
Minimum radius 90 cm

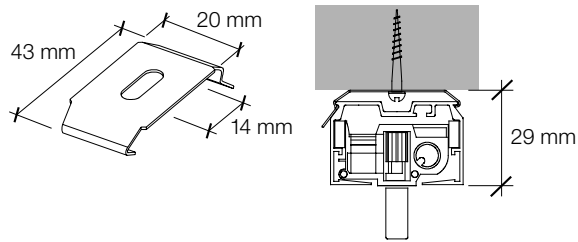
Package arrangement Blinds package/operation left, right or on other side

Blinds package split
(even number of blinds)

Blinds package in the middle
(even number of blinds)

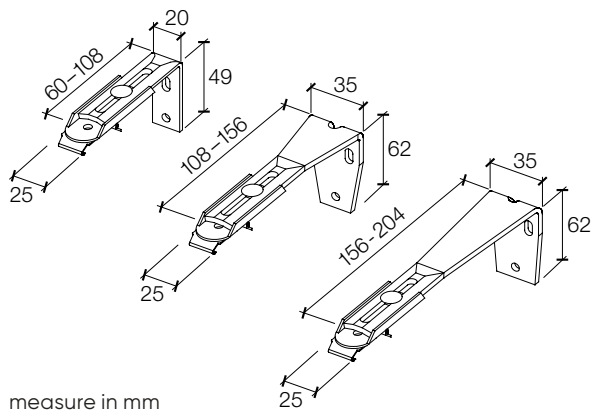
Blind versions Flush-fitting welded weighting plates, connecting chain upon inquiry





Ceiling Fixing to ceiling only by means of the clips

Colours: stainless steel or white

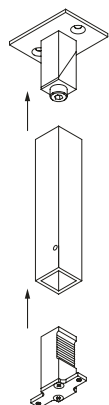


measure in mm

Wall Fixing to wall by means of the supporting bracket/extractable preassembled clips

60 – 108 mm
108 – 156 mm
156 – 204 mm

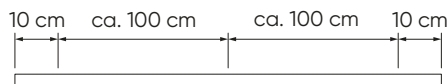
Colours: galvanized steel or white



Ceiling support shortened Aluminium profile rectangular 25 × 25 mm, with fixing plate on top (size 70 × 45 mm) and adapter plate at the bottom, complete

Measures Length 200 mm
400 mm
600 mm
800 mm
1000 mm
1200 mm

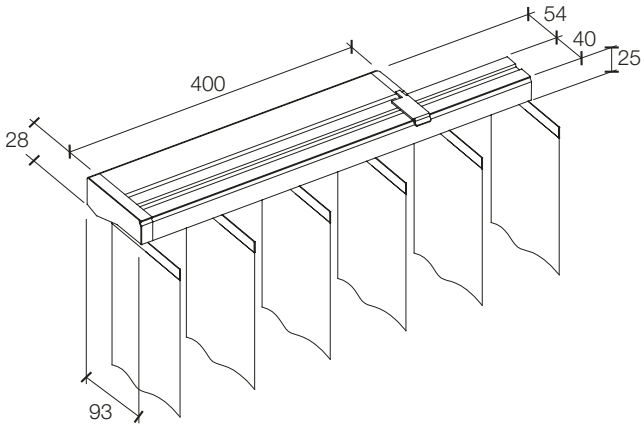
Colours Standard white RAL 9016
Standard grey RAL 9006



Position Distance between ceiling support approx. 100–120 cm according to height of support / width of the systems and weight of the curtain



Example Arch element and 2 ceiling supports



measure in mm

Track Track in extruded aluminium.
The safety clutch prevents any over-speeding of the gears and thus ensures an even turning of the blinds

Colours Standard anodized aluminium
Standard white RAL 9016
Other RAL-colours upon inquiry

Motor Opening and closing as well as turning of the blinds by 180° with the electric motor, right or left (behind the track)

The track needs to be equal to a straight line that is at least 440 mm long

Colours Standard anodized aluminium
Standard white RAL 9016

Operation re. electric versions

Blind widths approx. 127 mm

Size of system Maximum width 560 cm*
Maximum height 400 cm
Maximum surface 22 m²
Maximum weight 10 kg

* stretched rail length

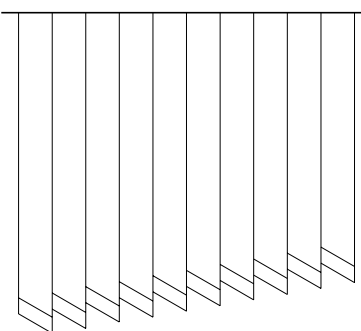
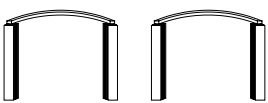
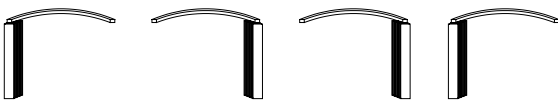
Minimum radius 90 cm

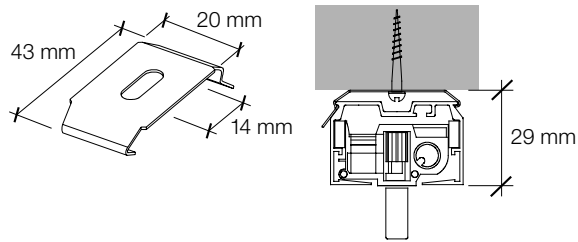
Package arrangement Blinds package/operation left, right or on other side

Blinds package split
(even number of blinds)

Blinds package in the middle
(even number of blinds)

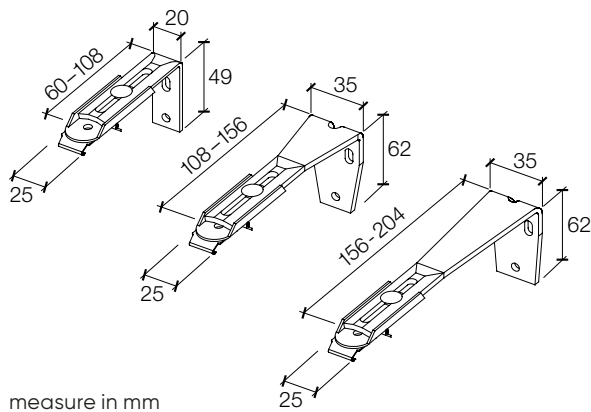
Blind versions Flush-fitting welded weighting plates, connecting chain upon inquiry





Ceiling Fixing to ceiling only by means of the clips

Colours: stainless steel or white

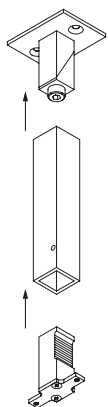


Wall Fixing to wall by means of the supporting bracket/extractable preassembled clips

60 – 108 mm
108 – 156 mm
156 – 204 mm

Colours: galvanized steel or white

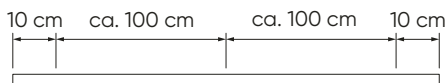
measure in mm



Ceiling support Aluminium profile rectangular shortened 25 × 25 mm, with fixing plate on top (size 70 × 45 mm) and adapter plate at the bottom, complete

Measures Length 200 mm
400 mm
600 mm
800 mm
1000 mm
1200 mm

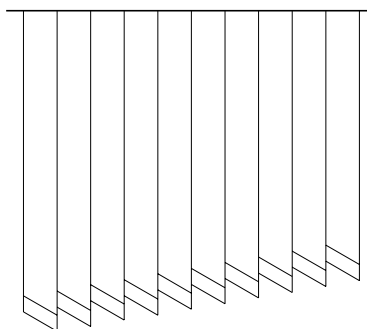
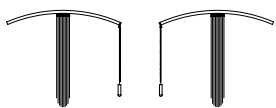
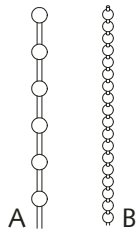
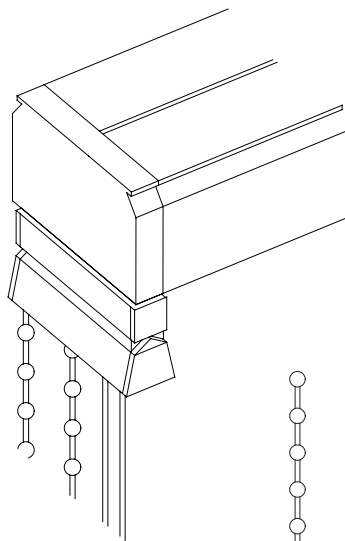
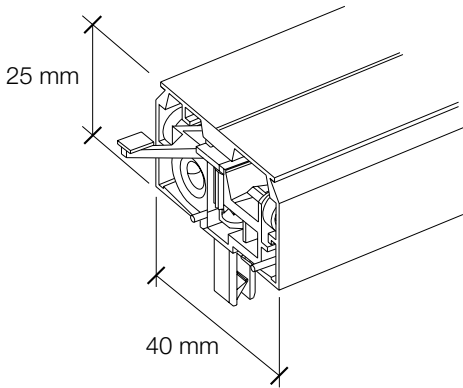
Colours Standard white RAL 9016
Standard grey RAL 9006



Position Distance between ceiling support approx. 100–120 cm according to height of support / width of the systems and weight of the curtain



Example Arch element and 2 ceiling supports



Track Track in extruded aluminium.
The safety clutch prevents any over-speeding of the gears and thus ensures an even turning of the blinds

Colours Standard anodized aluminium
Standard white RAL 9016
Other RAL-colours upon inquiry

Operation Opening and closing of the blinds by draw cord / draw cord break mechanism.
Turning of blinds by 180° at a transmission ratio of 4:1 by means of the chain.
Electric versions, upon inquiry

Cord grey or white

Chain A Bead chain in plastic, grey or white
B Nickel plated metal chain

Blind widths approx. 127 mm

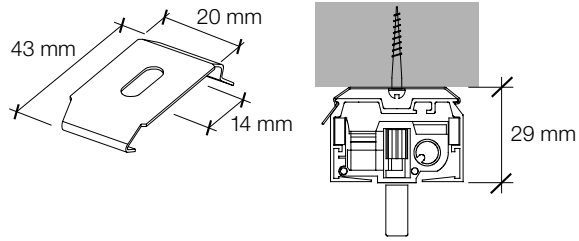
Size of system Maximum width 560 cm*
Maximum height 400 cm
Maximum surface 22 m²
Maximum weight 5-20 kg (depends on ratio and angle)

* stretched rail length

Minimum radius Minimum radius: 50 cm
Max. inclination angle: 110°

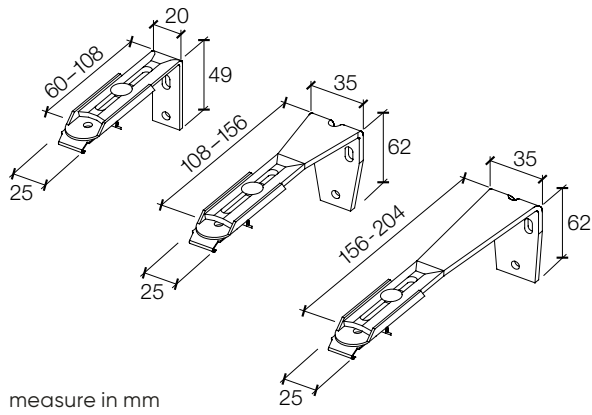
Package arrangement Blinds package in the middle (even number of blinds)
Operation left or right

Blind versions Flush-fitting welded weighting plates, connecting chain upon inquiry



Ceiling Fixing to ceiling only by means of the clips

Colours: stainless steel or white

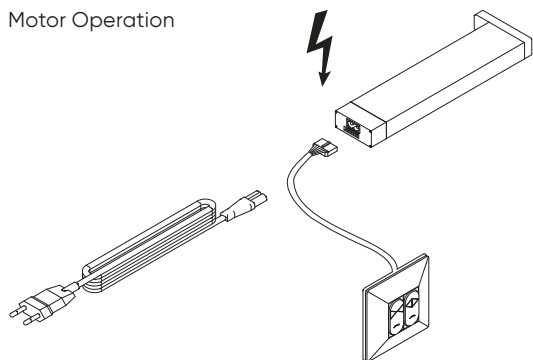


Wall Fixing to wall by means of the supporting bracket/extractable preassembled clips

60 – 108 mm
108 – 156 mm
156 – 204 mm

Colours: galvanized steel or white

Motor Operation

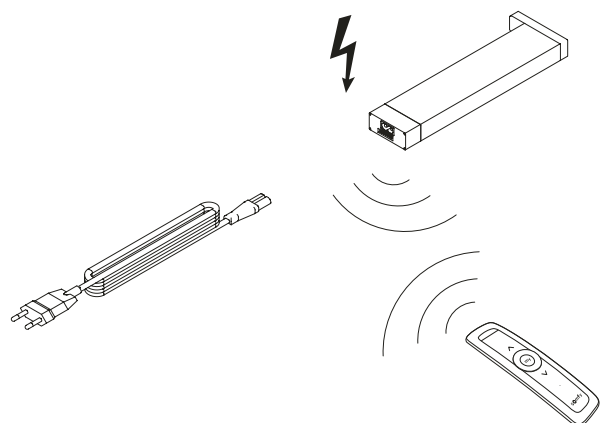


METRIC Power
Push button
operation

A completely modular motor system with individual components that can be combined flexibly with one another

Particular characteristics:

- Application on the left or right of the track (on side or on top)
- 230 V electrical power supply always connected direct to the motor via an internal network component
- Automatic cutoff in case of overload
- Automatic partial opening to at least 25° before curtain moves
- Turning of the blinds by 180°
- Soft start/soft stop

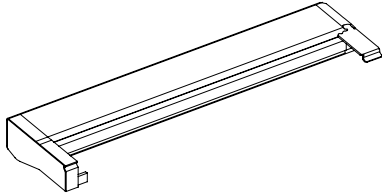


METRIC POWER
RTS
Radio remote
contro

- Particular characteristics:
- Application on the left or right of the track (on side or on top)
 - 230 V electrical power supply always connected direct to the motor via an internal network component
 - Automatic cutoff in case of overload
 - Automatic partial opening to at least 25° before curtain moves
 - Turning of the blinds by 180°
 - Handy fine adjustment
 - Integral radio receiver
 - Soft start/soft stop

- | | | |
|-----------------|---|-------------------------------|
| Checklist | 1 | Placement motor on track |
| Motor operation | 2 | Current supply |
| | 3 | Cable connector motor/control |
| | 4 | Power supply cable |
| | 5 | Cable clip |

Individual control



Motor
POWER/
POWER RTS

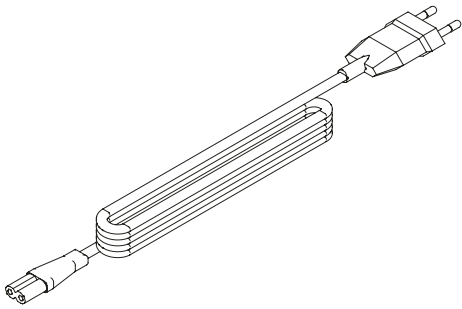
The motor steers the movement and turning of the blinds. It is equipped with a «mono-function» so that control elements with two switching functions can be used.

Motor with integrated power supply 230 V in aluminium casing, to be mounted on the left or right behind the track and on the left or right on top the track

Measurements:	L400 × W54 × H28 mm
Tractive force:	80 Ncm on the sprocket
Input voltage:	180–264 volt AC
Feed frequency:	50–60 Hz
Current consumption:	max. 0.35 A at 180 volt AC
Onsetting current:	< 10 A
Control voltage:	extra low voltage
Control current:	10 mA/control sign
Driving speed:	5 m/min
End position sensing:	electronically by programming
Operation temperature:	0–70° C
Colours:	Standard anodized aluminium Standard white RAL 9016 Standard black RAL 9005

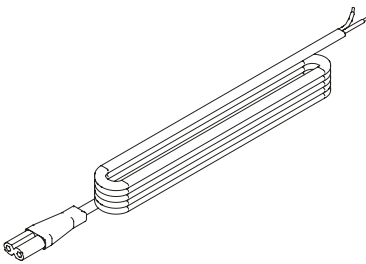
Automatic cut off in case of overload!

As an option, the METRIC III POWER motor also includes an RTS module for control via Somfy RTS radio transmitter



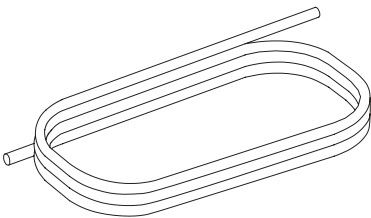
Connector 230 V connector with jack on the motor and a Euro connector for the motor's power supply

Cable: 2 × 0,75 mm²
 Length: 2 m
 Colour: white

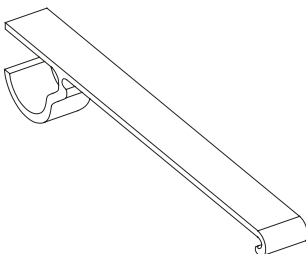


Connector 230 V connector with jack on the motor for the motor's power supply

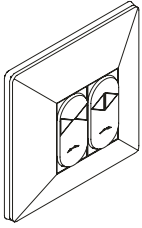
Cable: 2 × 0,75 mm²
 Length: 5 m
 Colour: white



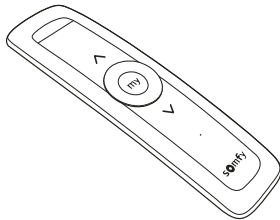
Cable connector control/motor Control cable 4 × 0.14 mm² per running meter
 Colour: white



Cable clip Can be clipped on to the track to guide the cable behind the track



Control Touch buttons
 Measurements: L17 × B82 × H82 mm
 Functions: turning right/left
 opening/closing
 Colour: white



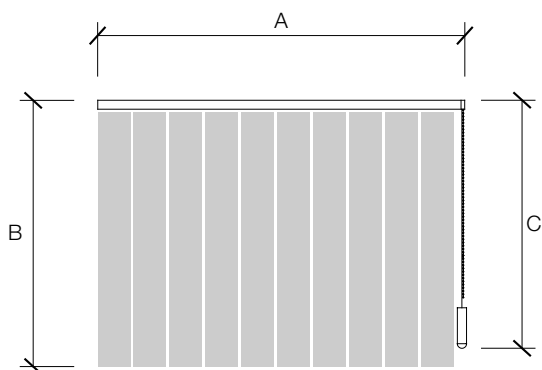
Radio hand transmitter Convenient and practical to operate via a handheld radio transmitter:
 1-channel Situo 1 Variation RTS II
 5-channel Situo 5 Variation RTS II

Handy fine adjustment of turning blinds

Scroll wheel for elegant positioning

Group controls Group controls possible as of 2 installations (upon inquiry)

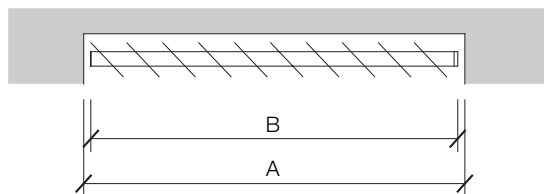
The vertical blinds systems are customized. Therefore, they cannot be replaced or taken back. Please use the preprinted forms to place your order



Width of the system Width of the overall blinds when closed system

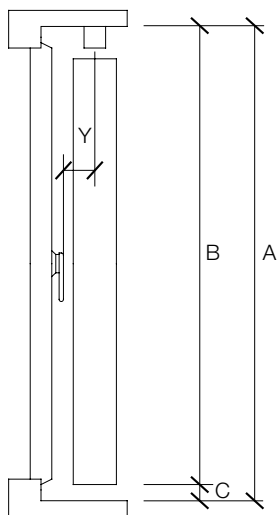
Height of the system Upper edge of the track (incl. clips) to the lower edge of the blinds

- A – Width of the system
- B – Height of the system
- C – Draw cord length



In the case of window niches or wall-to-wall installations, deduct approx. 1 cm from the measurements of the niche, that is to say the wall-to-wall distance

- A – niche width
- B – installation width = niche width - 1 cm



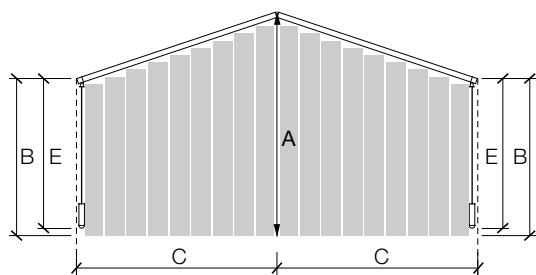
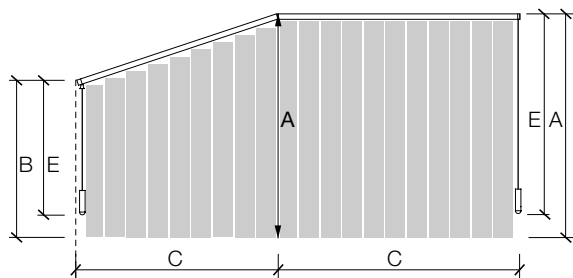
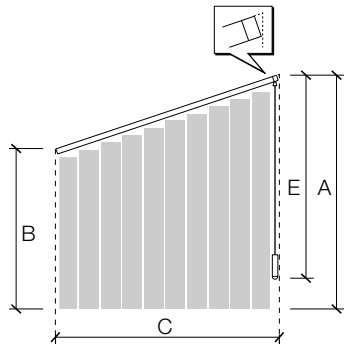
The height of the system is the height where the light breaks through minus approx. 2–3 cm from the window bank, that is to say from the floor.

The distance from the middle of the track to the point jutting out the furthest (e.g. the window handle or the pivot-hung window) must be as follows: must be at least 7 cm

- A – Height where the light breaks through
- B – Height of the system
- C – Distance to floor
- Y – Distance between the middle of the track and the point jutting out the furthest

- | | | |
|--|---|-----------------------------------|
| Checklist
Measuring horizontal
installations | 1 | Width of system |
| | 2 | Height of system |
| | 3 | Arrangement of blinds package |
| | 4 | Operation side |
| | 5 | Operation length |
| | 6 | Choice of textile blinds |
| | 7 | Fixing to the ceiling or the wall |
| | 8 | Distance to wall |

The vertical blinds systems are customized. Therefore, they cannot be replaced or taken back. Please use the preprinted forms to place your order



Slope

Measuring process:

1. Determine which overall zone by the system is to be covered
2. Mark the upper corner points
3. Plumb and mark the upper corner points of the basis (e.g. window-sill, floor)
4. Measure the basic width between these marks = width to order (do not deduce anything from this width)
5. Measure the height. Pay attention to the necessary deductions (i.e. approx. 2–3 cm distance to floor)

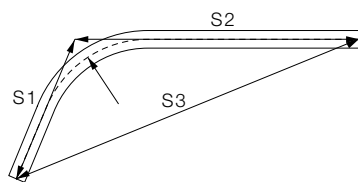
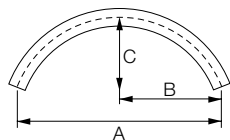
- A – Largest system height in mm
- B – Smallest system height in mm
- C – Basic width = width to order
- E – Length of draw cord

The blinds package is always to be placed on the greatest height. Inclination angle of a maximum of 55°.

Please mark the overlapping of the blinds in the case of two adjacent systems (can only be operated on the opposite side)

Checklist
Measuring of slope
installations

- 1 Largest system height in mm
- 2 Smallest system height in mm
- 3 Basic width = width to order
- 4 Arrangement of blinds packages
- 5 Operation side
- 6 Operation length
- 7 Choice of textile blinds
- 8 Mounting on to ceiling or wall
- 9 Distance to wall
- 10 Sketch



The vertical blinds systems are customized. Therefore, they cannot be replaced or taken back. Please use the preprinted forms to place your order

View from the top

Measuring the chord width:

Determine the depth of the arch at half chord width.

- A – Chord width
- B – Half Chord width
- C – Arch depth

Measuring the straight stretches up to the assumed cutting point.

- S1 – Stretch 1
- S2 – Stretch 2
- S3 – Stretch 3

Add system height
 Add operation side
 Add operation height

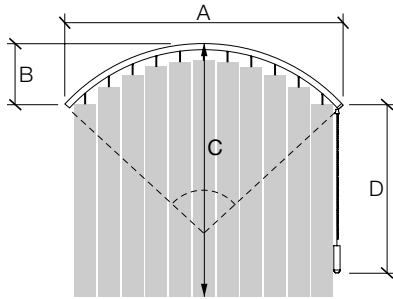
Minimum radiuses:
 90 cm

The motor assembling requires a minimum straight stretch of 340 mm, with motor plus 12 cm on the operation side. The motor should always be positioned on the outer radius.

In order to work out everything precisely, we require a sketch or a template.

Additional arch applications upon inquiry

Checklist Measuring of arch installations	1 Measuring according to instructions 2 Height of system 3 Arrangement of blinds packages 4 Operation side 5 Operation height 6 Choice of textile blinds 7 Mounting on ceiling or wall 8 Sketch
---	--



Vertical curved

The vertical blinds systems are customized. Therefore, they cannot be replaced or taken back. Please use the preprinted forms to place your order

- A – Measuring the chord width
- B – Determining the arch height at half chord width
- C – Height of the system
- D – Operation length

Other versions possible (upon inquiry)

The blinds package is always positioned at the highest point in the middle. Only symmetrical installations are possible

Minimum radius: 50 cm
Max. inclination angle: 110°

In order to work out everything precisely, we require a sketch or a template.

Additional archway applications upon inquiry.

- | | | |
|---------------------------------|---|--|
| Checklist | 1 | Measuring of basic, that is to say chord width according to instructions |
| Measuring of arch installations | 2 | Height of system |
| | 3 | Partial measurement, according to instructions |
| | 4 | Operation side |
| | 5 | Operation length |
| | 6 | Choice of textile blinds |
| | 7 | Fixing to ceiling or wall |
| | 8 | Distance to wall |
| | 9 | Sketch |

